

CLASSIC BRASS

JAMESTOWN, NEW YORK

MORTISE BOLTS

MONTANA COLLECTION



MORTISE BOLTS

APPLICATIONS

- 8975 Complete Mortise Bolt Set
- 8977 Turnpiece and Plate w/ Mortise Bolt
- 8979 Turnpiece and Plate

PRODUCT DIMENSIONS

1-5/8"

MATERIALS

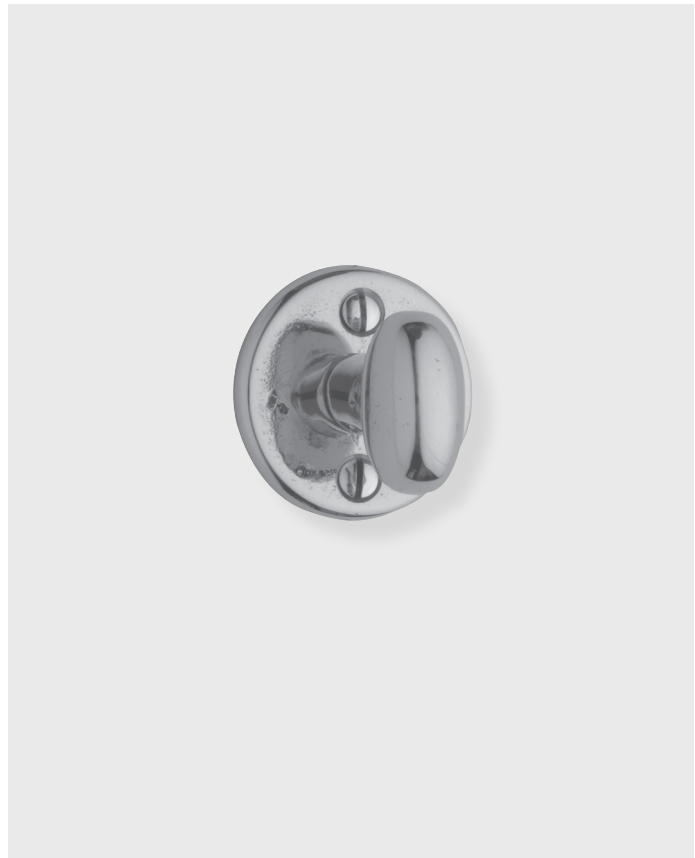
Solid Bronze

HOW TO ORDER

1. Specify application.
2. Specify finish. If split finish is required, specify exterior/interior.
3. Specify door thickness. Standard thickness is 1-3/4".
4. Specify backset required. Standard is 2-3/8".

REMEMBER

1. Standard backset is 2-3/8". If required, specify 2-3/4" backset.



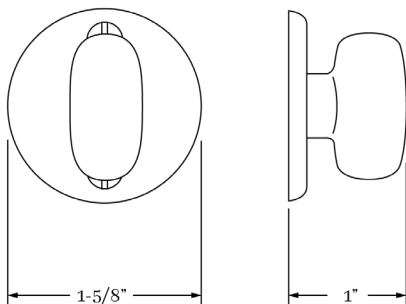
MONTANA | DOOR

SET COMPONENTS

Complete Mortise Bolt Set includes turnpiece and plate, mortise bolt (2-3/8" backset), strike, faceplate, dust box, EE trim and mounting hardware.

Turnpiece and Plate w/ Mortise Bolt includes turnpiece and plate, mortise bolt (2-3/8" backset), strike, faceplate, dust box and mounting hardware.

Turnpiece and Plate includes turnpiece and plate ONLY and mounting hardware.



CLASSIC BRASS

JAMESTOWN, NEW YORK

CLASSIC BRASS

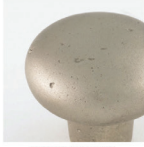
JAMESTOWN, NEW YORK

SIGNATURE FINISHES

SOLID BRONZE FINISHES



AGED IRON
(AI)



AGED SILVER
(AS)



AGED BRONZE
(AZ)



MATTE BLACK
(MB)



NATURAL BRONZE
(NB)



STERLING
(ST)

FINISHES

Aged Iron (AI)
Aged Silver (AS)
Aged Bronze (AZ)
Matte Black (MB)
Natural Bronze (NB)
Sterling (ST)

CUSTOM FINISHES AVAILABLE
UPON REQUEST.