

CLASSIC BRASS

JAMESTOWN, NEW YORK

M/P SETS - EURO

MONTANA COLLECTION



M/P SETS - EURO

1-3/4" X 10" MULTI POINT SETS

8850 Lever Euro M/P Set - ENTRANCE

8851 Lever Euro M/P Set - FULL DUMMY

8852 Lever Euro M/P Set - ACTIVE DUMMY

8853 Lever Euro M/P Set - PATIO

Above sets include 8957 Lever

2-1/2" X 12" MULTI POINT SETS

8856 Lever Euro M/P Set - ENTRANCE

8857 Lever Euro M/P Set - FULL DUMMY

8858 Lever Euro M/P Set - ACTIVE DUMMY

8859 Lever Euro M/P Set - PATIO

Above sets include 8957 Lever

MATERIALS

Solid Bronze

SPINDLES

8mm SQ (standard)

HOW TO ORDER

1. Specify application.
2. See our M/P Check Sheet (Form 500) for additional information.
3. Specify finish. If split finish is required, please indicate exterior/interior.
4. Specify door thickness. Standard thickness is 1-3/4".
5. Specify hand of door - RH/LH.
6. Specify fixed or active exterior lever when ordering active dummy set.

REMEMBER

1. Complete our M/P Check Sheet (Form 500).
2. Standard euro profile application is LEVER HIGH - 92mm (hub-cylinder spacing).
3. All levers are interchangeable.
4. Door thickness greater than 1-3/4" will require longer euro cylinders and/or offset cylinders. 62mm x K x TP (31mm x 31mm) and 31mm Half Cylinder is standard for 1-3/4" doors.
5. Cylinders INCLUDED with all applications (collection turnpiece attached).
6. Strike not included.
7. Custom drilling available.
8. Euro offset cylinders and custom lengths available upon request.



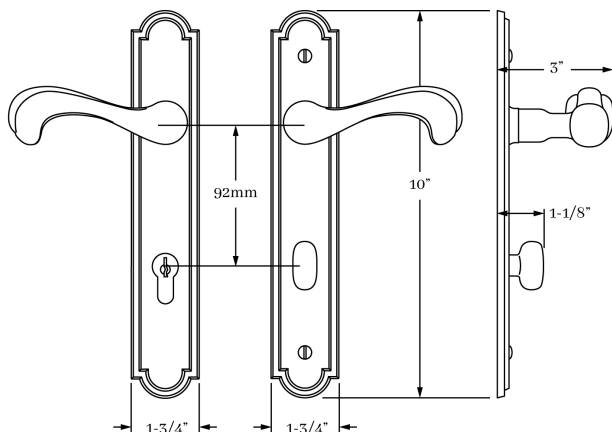
SET COMPONENTS

Lever Euro M/P Set - ENTRANCE includes two escutcheons, two levers, 4" straight spindle (8mm), euro profile cylinder - 62mm - K x TP and mounting hardware. NOTE: our standard spacing between lever hub and the profile cylinder is 92mm.

Lever Euro M/P Set - FULL DUMMY includes two escutcheons, two levers, 4" straight spindle (8mm), two dummy mount plates and mounting hardware.

Lever Euro M/P Set - ACTIVE DUMMY includes two escutcheons, two levers, 4" swivel spindle (8mm), dummy mount plates for exterior and mounting hardware.

Lever Euro M/P Set - PATIO includes exterior escutcheon, interior escutcheon, two levers, 4" straight spindle (8mm), euro profile half cylinder - 31mm and mounting hardware. NOTE: our standard spacing between lever hub and the profile cylinder is 92mm.



CLASSIC BRASS

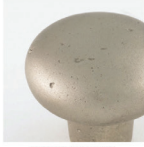
JAMESTOWN, NEW YORK

SIGNATURE FINISHES

SOLID BRONZE FINISHES



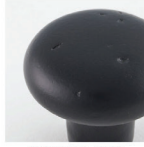
AGED IRON
(AI)



AGED SILVER
(AS)



AGED BRONZE
(AZ)



MATTE BLACK
(MB)



NATURAL BRONZE
(NB)



STERLING
(ST)

FINISHES

- Aged Iron (AI)
- Aged Silver (AS)
- Aged Bronze (AZ)
- Matte Black (MB)
- Natural Bronze (NB)
- Sterling (ST)

CUSTOM FINISHES AVAILABLE
UPON REQUEST.