

CLASSIC BRASS

JAMESTOWN, NEW YORK

ENTRANCE HANDLE SETS

MONTANA COLLECTION



ENTRANCE HANDLE SETS

APPLICATIONS

8800 Entrance Handle Set - Lever

8802 Entrance Handle Set - T/P x T/P

8806 Entrance Handle Set - Lever - FULL DUMMY

8807 Entrance Handle Set - T/P x T/P - FULL DUMMY

Above sets include 8957 Lever

DIMENSIONS

Interior Escutcheon 2-1/2" x 12"

Exterior Escutcheon 3" x 18"

MATERIALS

Solid Bronze

SPINDLES

8mm SQ (standard)

HOW TO ORDER

1. Specify application.
2. Specify finish. If split finish is required, please indicate exterior/interior.
3. Specify door thickness. Standard thickness is 1-3/4".
4. Specify hand of door - RH/LH.
5. Specify backset.
 - standard for mortise lock is 2-1/2".

REMEMBER

1. All knobs and levers are interchangeable.
2. Standard mortise lock is 2-1/2" EE. Specify 2-3/4" if required.
3. Entrance handle sets are mortise lock only.
4. A door thickness greater than 1-3/4" will require a #9901 thick door kit.
5. Custom drilling available.
6. Concealed undermount attachment is standard on exterior escutcheon. Oval slot head wood screws (4/ea) are standard on interior escutcheon.



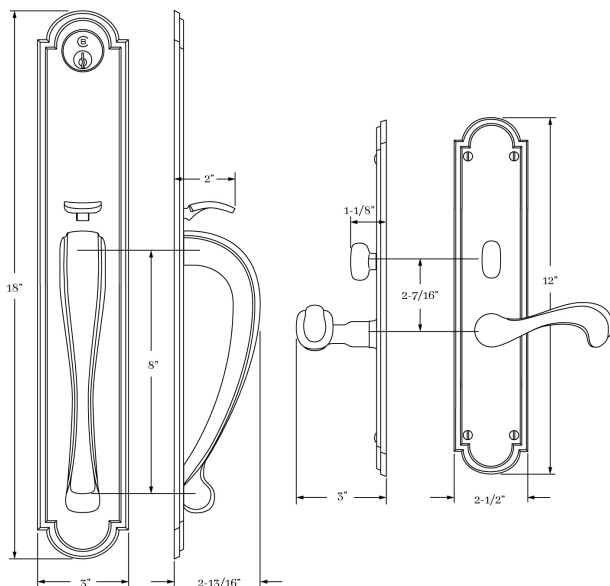
SET COMPONENTS

Entrance Handle Set - Lever includes exterior escutcheon with pull and thumbpiece attached, interior escutcheon with turnpiece attached, lever, Accurate 9169 TP x L, dust box, strike 1-1/4" LTC, mortise cylinder, bolt cover, 8mm half spindle and mounting hardware.

Entrance Handle Set - T/P x T/P includes exterior escutcheon with pull and thumbpiece attached, interior escutcheon with thumbpiece, pull and turnpiece attached, Accurate 9169 TP x TP, dust box, strike 1-1/4" LTC, mortise cylinder and mounting hardware.

Entrance Handle Set - Lever - FULL DUMMY includes exterior escutcheon with pull and fixed thumbpiece attached, interior escutcheon, lever, bolt cover, 8mm half spindle and full dummy mounting hardware.

Entrance Handle Set - T/P x T/P - FULL DUMMY includes exterior escutcheon with pull and fixed thumbpiece attached, interior escutcheon with fixed thumbpiece and full dummy mounting hardware.



CLASSIC BRASS

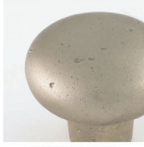
JAMESTOWN, NEW YORK

SIGNATURE FINISHES

SOLID BRONZE FINISHES



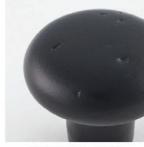
AGED IRON
(AI)



AGED SILVER
(AS)



AGED BRONZE
(AZ)



MATTE BLACK
(MB)



NATURAL BRONZE
(NB)



STERLING
(ST)

FINISHES

Aged Iron (AI)
Aged Silver (AS)
Aged Bronze (AZ)
Matte Black (MB)
Natural Bronze (NB)
Sterling (ST)

CUSTOM FINISHES AVAILABLE
UPON REQUEST.