

CLASSIC BRASS

JAMESTOWN, NEW YORK

FLUSH PULLS

HUTTER COLLECTION



FLUSH PULLS

APPLICATIONS

- 7891 Flush Pull Only
- 7892 Flush Pull w/ Turnpiece
- 7893 Flush Pull w/ Cylinder Hole
- 7391 Flush Pull Set - PASSAGE w/ 9730
- 7392 Flush Pull Set - PASSAGE w/ Accurate 2000
- 7393 Flush Pull Set - PRIVACY w/ Accurate 2002

PRODUCT DIMENSIONS

2-1/2" x 12"

MATERIALS

Solid Brass

HOW TO ORDER

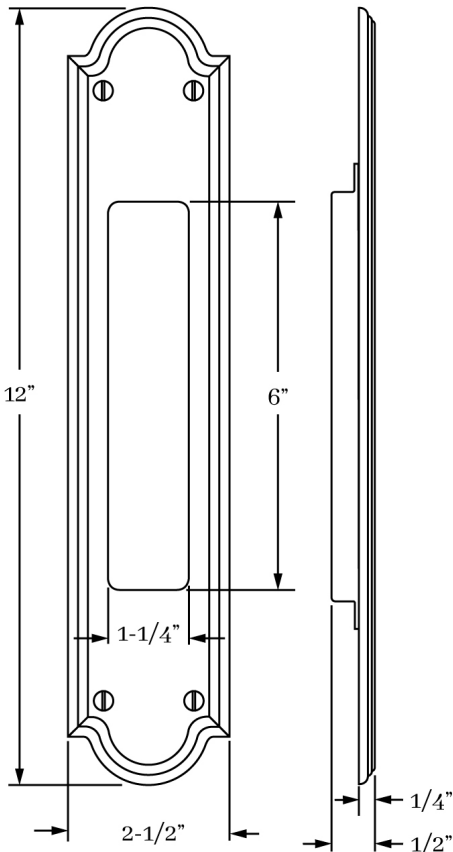
1. Specify application.
2. Specify finish.
3. Specify door thickness. Standard is 1-3/4".

REMEMBER

1. Standard backset is 2-1/2" for mortise. If required, specify 2-3/4" backset.
2. Verify jamb clearance for escutcheon projection.
3. Edge pulls available - Standard or Mortise.
4. Custom escutcheon sizes and drilling available.
5. HUTTER ARCH edge profile is standard. SQUARE CORNER and OFFSET edge options available.
6. Oval slot wood screws (4/ea) are standard on the escutcheons.



HUTTER | DOOR



SET COMPONENTS

Flush Pull Only includes one flush pull ONLY and mounting hardware.

Flush Pull Set - PASSAGE w/ 9730 includes two flush pulls, one edge pull and mounting hardware.

Flush Pull Set - PASSAGE w/ Accurate 2000 includes two flush pulls, Accurate 2000 edge pull and mounting hardware.

Flush Pull Set - PRIVACY w/ Accurate 2002 includes exterior flush pull w/ EE trim, interior flush pull w/ turnpiece, Accurate 2002 flush pull mortise lock, strike and mounting hardware.

CLASSIC BRASS

JAMESTOWN, NEW YORK

CLASSIC BRASS

JAMESTOWN, NEW YORK

SIGNATURE FINISHES

SOLID BRASS FINISHES



ANTIQUE BRASS
(AB)



ANTIQUE BURNISHED
BRASS (ABB)



ANTIQUE BURNISHED
NICKEL (ABN)



ANTIQUE NICKEL
(AN)



ANTIQUE POLISHED
SILVER (APS)



BURNISHED BRASS
(BB)



BURNISHED NICKEL
(BN)



OIL RUBBED
BRONZE (BZ)



KENSINGTON
(KN)



MATTE BLACK
(MB)



POLISHED ANTIQUE
(PA)



POLISHED ANTIQUE
NO LACQUER (PANL)



POLISHED BRASS
(PB)



POLISHED BRASS
NO LACQUER (PBNL)



POLISHED CHROME
(PC)



POLISHED GOLD
(PG)



POLISHED NICKEL
(PN)



POLISHED SILVER
(PS)



REVERE BRASS
(RB)



REVERE NICKEL
(RN)



REVERE TARNISHED
(RT)



SATIN BRASS
(SB)



SATIN BRASS
NO LACQUER (SBNL)



SATIN GOLD
(SG)



SATIN NICKEL
(SN)



SATIN SILVER
(SS)



SATIN TARNISHED
(STN)



TARNISHED
(TN)



WEATHERED ANTIQUE
NICKEL (WA)



WEATHERED BRASS
(WB)



WEATHERED BRONZE
(WZ)



WEATHERED COPPER
(WC)



WEATHERED NICKEL
(WN)

LEVEL 1

Antique Brass (AB)
Antique Burnished Brass (ABB)
Burnished Brass (BB)
Oil Rubbed Bronze (BZ)
Kensington (KN)
Polished Antique (PA)
Polished Antique — No Lacquer (PANL)
Polished Brass (PB)
Polished Brass — No Lacquer (PBNL)
Revere Brass (RB)
Revere Tarnished (RT)
Satin Brass (SB)
Satin Brass — No Lacquer (SBNL)
Tarnished (TN)
Weathered Brass (WB)
Weathered Bronze (WZ)

LEVEL 2

Antique Burnished Nickel (ABN)
Antique Nickel (AN)
Burnished Nickel (BN)
Matte Black (MB)
Polished Chrome (PC)
Polished Nickel (PN)
Revere Nickel (RN)
Satin Nickel (SN)
Weathered Antique Nickel (WA)
Weathered Copper (WC)
Weathered Nickel (WN)

LEVEL 3

Antique Polished Silver (APS)
Polished Silver (PS)
Satin Silver (SS)

PRICE ON REQUEST

Polished Gold (PG)
Satin Gold (SG)

Custom finishes available on request.