

# CLASSIC BRASS

JAMESTOWN, NEW YORK

## ENTRANCE HANDLE SETS

---

HUTTER COLLECTION



# ENTRANCE HANDLE SETS

## APPLICATIONS

7801 Entrance Handle Set - Lever

7803 Entrance Handle Set - T/P x T/P

7808 Entrance Handle Set - Lever - FULL DUMMY

7809 Entrance Handle Set - T/P x T/P - FULL DUMMY

Above sets include 7260 Lever

## DIMENSIONS

Interior Escutcheon 2-1/2" x 12"

Exterior Escutcheon 3" x 20"

## MATERIALS

Solid Brass

## SPINDLES

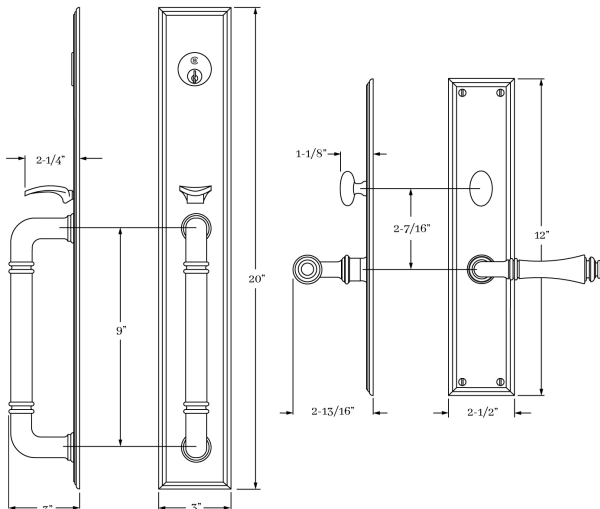
8mm SQ (standard)

## HOW TO ORDER

1. Specify application.
2. Specify finish. If split finish is required, please indicate exterior/interior.
3. Specify door thickness. Standard thickness is 1-3/4".
4. Specify hand of door - RH/LH.
5. Specify backset.
  - standard for mortise lock is 2-1/2".

## REMEMBER

1. All knobs and levers are interchangeable.
2. Standard mortise lock is 2-1/2" EE. Specify 2-3/4" if required.
3. Entrance handle sets are mortise lock only.
4. A door thickness greater than 1-3/4" will require a #9901 thick door kit.
5. Custom escutcheon sizes and drilling available.
6. HUTTER OFFSET edge options available.
7. Concealed undermount attachment is standard on exterior escutcheon. Oval slot head wood screws (4/ea) are standard on interior escutcheon.



HUTTER | DOOR

## SET COMPONENTS

**Entrance Handle Set - Lever** includes exterior escutcheon with pull and thumbpiece attached, interior escutcheon with turnpiece attached, lever, Accurate 9169 TP x L, dust box, strike 1-1/4" LTC, mortise cylinder, bolt cover, 8mm half spindle and mounting hardware.

**Entrance Handle Set - T/P x T/P** includes exterior escutcheon with pull and thumbpiece attached, interior escutcheon with thumbpiece, pull and turnpiece attached, Accurate 9169 TP x TP, dust box, strike 1-1/4" LTC, mortise cylinder and mounting hardware.

**Entrance Handle Set - Lever - FULL DUMMY** includes exterior escutcheon with pull and fixed thumbpiece attached, interior escutcheon, lever, bolt cover, 8mm half spindle and full dummy mounting hardware.

**Entrance Handle Set - T/P x T/P - FULL DUMMY** includes exterior escutcheon with pull and fixed thumbpiece attached, interior escutcheon with fixed thumbpiece and full dummy mounting hardware.

CLASSIC BRASS

JAMESTOWN, NEW YORK

# CLASSIC BRASS

JAMESTOWN, NEW YORK

## SIGNATURE FINISHES

### SOLID BRASS FINISHES



ANTIQUE BRASS  
(AB)



ANTIQUE BURNISHED  
BRASS (ABB)



ANTIQUE BURNISHED  
NICKEL (ABN)



ANTIQUE NICKEL  
(AN)



ANTIQUE POLISHED  
SILVER (APS)



BURNISHED BRASS  
(BB)



BURNISHED NICKEL  
(BN)



OIL RUBBED  
BRONZE (BZ)



KENSINGTON  
(KN)



MATTE BLACK  
(MB)



POLISHED ANTIQUE  
(PA)



POLISHED ANTIQUE  
NO LACQUER (PANL)



POLISHED BRASS  
(PB)



POLISHED BRASS  
NO LACQUER (PBNL)



POLISHED CHROME  
(PC)



POLISHED GOLD  
(PG)



POLISHED NICKEL  
(PN)



POLISHED SILVER  
(PS)



REVERE BRASS  
(RB)



REVERE NICKEL  
(RN)



REVERE TARNISHED  
(RT)



SATIN BRASS  
(SB)



SATIN BRASS  
NO LACQUER (SBNL)



SATIN GOLD  
(SG)



SATIN NICKEL  
(SN)



SATIN SILVER  
(SS)



SATIN TARNISHED  
(STN)



TARNISHED  
(TN)



WEATHERED ANTIQUE  
NICKEL (WA)



WEATHERED BRASS  
(WB)



WEATHERED BRONZE  
(WZ)



WEATHERED COPPER  
(WC)



WEATHERED NICKEL  
(WN)

### LEVEL 1

Antique Brass (AB)  
Antique Burnished Brass (ABB)  
Antique Revere Brass (ARB)  
Burnished Brass (BB)  
Oil Rubbed Bronze (BZ)  
Kensington (KN)  
Polished Antique (PA)  
Polished Antique — No Lacquer (PANL)  
Polished Brass (PB)  
Polished Brass — No Lacquer (PBNL)  
Revere Brass (RB)  
Revere Tarnished (RT)  
Satin Brass (SB)  
Satin Brass — No Lacquer (SBNL)  
Tarnished (TN)  
Weathered Brass (WB)  
Weathered Bronze (WZ)

### LEVEL 2

Antique Burnished Nickel (ABN)  
Antique Revere Nickel (ARN)  
Antique Nickel (AN)  
Burnished Nickel (BN)  
Matte Black (MB)  
Polished Chrome (PC)  
Polished Nickel (PN)  
Revere Nickel (RN)  
Satin Nickel (SN)  
Weathered Antique Nickel (WA)  
Weathered Copper (WC)  
Weathered Nickel (WN)

### LEVEL 3

Antique Polished Silver (APS)  
Antique Revere Silver (ARS)  
Polished Silver (PS)  
Revere Silver (RS)  
Satin Silver (SS)

### PRICE ON REQUEST

Polished Gold (PG)  
Satin Gold (SG)

Custom finishes available on request.