

CLASSIC BRASS

JAMESTOWN, NEW YORK

FLUSH PULL

ACCESSORIES



FLUSH PULL

APPLICATIONS

18524 Flush Pull - PRIVACY W/ EE

PRODUCT DIMENSIONS

3"

MATERIALS

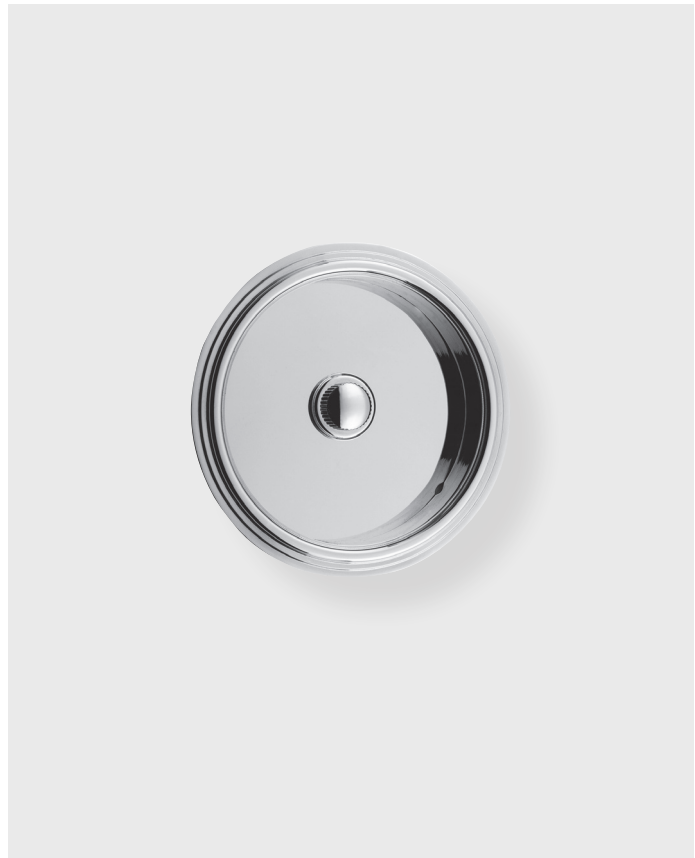
Solid Brass

HOW TO ORDER

1. Specify application.
2. Specify finish.
3. Specify door thickness. Standard is 1-3/4".

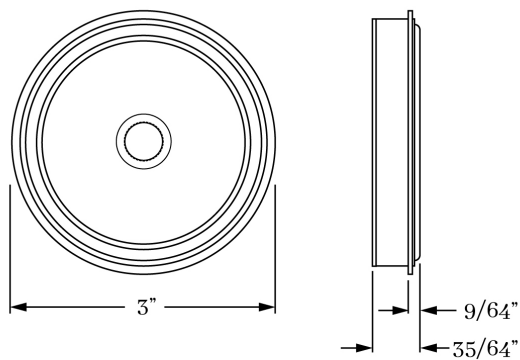
REMEMBER

1. Verify jamb clearance for flush pull projection.
2. Edge pulls available - Standard or Mortise.
3. Flush pull locks and edge pulls must be ordered separately.



SET COMPONENTS

Flush Pull - includes one flush pull with EE trim and mounting hardware.



CLASSIC BRASS

JAMESTOWN, NEW YORK

SIGNATURE FINISHES

SOLID BRASS FINISHES



LEVEL 1

Antique Brass (AB)
Antique Burnished Brass (ABB)
Antique Revere Brass (ARB)
Burnished Brass (BB)
Oil Rubbed Bronze (BZ)
Kensington (KN)
Polished Antique (PA)
Polished Antique — No Lacquer (PANL)
Polished Brass (PB)
Polished Brass — No Lacquer (PBNL)
Revere Brass (RB)
Revere Tarnished (RT)
Satin Brass (SB)
Satin Brass — No Lacquer (SBNL)
Tarnished (TN)
Weathered Brass (WB)
Weathered Bronze (WZ)

LEVEL 2

Antique Burnished Nickel (ABN)
Antique Revere Nickel (ARN)
Antique Nickel (AN)
Burnished Nickel (BN)
Matte Black (MB)
Polished Chrome (PC)
Polished Nickel (PN)
Revere Nickel (RN)
Satin Nickel (SN)
Weathered Antique Nickel (WA)
Weathered Copper (WC)
Weathered Nickel (WN)

LEVEL 3

Antique Polished Silver (APS)
Antique Revere Silver (ARS)
Polished Silver (PS)
Revere Silver (RS)
Satin Silver (SS)

PRICE ON REQUEST

Polished Gold (PG)
Satin Gold (SG)

Custom finishes available on request.