

# CLASSIC BRASS

JAMESTOWN, NEW YORK

## SQUARE AUXILIARY DEADBOLTS

---

SHORE COLLECTION



# SQUARE AUX. DEADBOLTS

## APPLICATIONS

- 17650 Square Auxiliary Deadbolt Set (KEY x TP) 2"
- 17651 Square Auxiliary Deadbolt Set (KEY x KEY) 2"

- 17652 Square Auxiliary Deadbolt Set (KEY x TP) 2-1/2"
- 17653 Square Auxiliary Deadbolt Set (KEY x KEY) 2-1/2"

## MATERIALS

Solid Brass

## HOW TO ORDER

1. Specify application and collar size.
2. Specify finish. If split finish is required, please indicate exterior/interior.
3. Specify door thickness. Standard thickness is 1-3/4".
4. Specify backset. Standard is 2-3/8".

## REMEMBER

1. Should you require key alike, please specify.
2. Standard backset is 2-3/8". If required, specify 2-3/4".

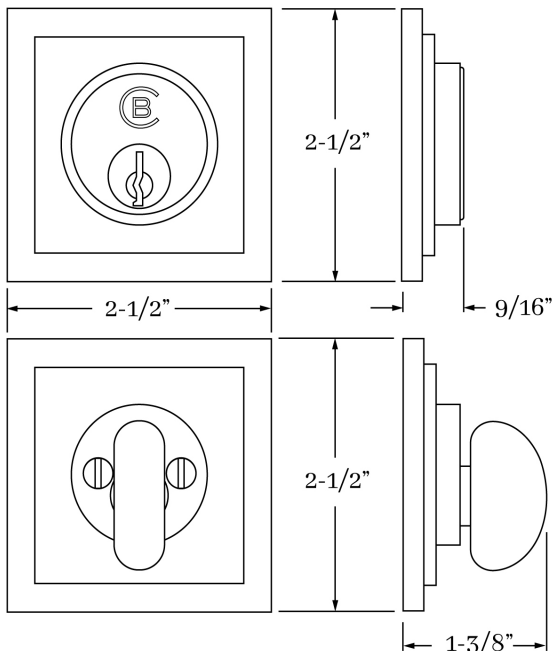


SHORE | DOOR

## SET COMPONENTS

**Auxiliary Deadbolt Set (KEY x TP)** includes exterior cylinder collar, auxiliary deadbolt cylinder w/ tailpiece, strike, faceplate, interior cylinder collar, interior turnpiece and plate, and mounting hardware.

**Auxiliary Deadbolt Set (KEY x KEY)** includes exterior cylinder collar, two auxiliary deadbolt cylinders w/ tailpiece, strike, faceplate, interior cylinder collar and mounting hardware.



CLASSIC BRASS

JAMESTOWN, NEW YORK

# CLASSIC BRASS

JAMESTOWN, NEW YORK

## SIGNATURE FINISHES

### SOLID BRASS FINISHES



ANTIQUE BRASS  
(AB)



ANTIQUE BURNISHED  
BRASS (ABB)



ANTIQUE BURNISHED  
NICKEL (ABN)



ANTIQUE NICKEL  
(AN)



ANTIQUE POLISHED  
SILVER (APS)



BURNISHED BRASS  
(BB)



BURNISHED NICKEL  
(BN)



OIL RUBBED  
BRONZE (BZ)



KENSINGTON  
(KN)



MATTE BLACK  
(MB)



POLISHED ANTIQUE  
(PA)



POLISHED ANTIQUE  
NO LACQUER (PANL)



POLISHED BRASS  
(PB)



POLISHED BRASS  
NO LACQUER (PBNL)



POLISHED CHROME  
(PC)



POLISHED GOLD  
(PG)



POLISHED NICKEL  
(PN)



POLISHED SILVER  
(PS)



REVERE BRASS  
(RB)



REVERE NICKEL  
(RN)



REVERE TARNISHED  
(RT)



SATIN BRASS  
(SB)



SATIN BRASS  
NO LACQUER (SBNL)



SATIN GOLD  
(SG)



SATIN NICKEL  
(SN)



SATIN SILVER  
(SS)



SATIN TARNISHED  
(STN)



TARNISHED  
(TN)



WEATHERED ANTIQUE  
NICKEL (WA)



WEATHERED BRASS  
(WB)



WEATHERED BRONZE  
(WZ)



WEATHERED COPPER  
(WC)



WEATHERED NICKEL  
(WN)

### LEVEL 1

Antique Brass (AB)  
Antique Burnished Brass (ABB)  
Antique Revere Brass (ARB)  
Burnished Brass (BB)  
Oil Rubbed Bronze (BZ)  
Kensington (KN)  
Polished Antique (PA)  
Polished Antique — No Lacquer (PANL)  
Polished Brass (PB)  
Polished Brass — No Lacquer (PBNL)  
Revere Brass (RB)  
Revere Tarnished (RT)  
Satin Brass (SB)  
Satin Brass — No Lacquer (SBNL)  
Tarnished (TN)  
Weathered Brass (WB)  
Weathered Bronze (WZ)

### LEVEL 2

Antique Burnished Nickel (ABN)  
Antique Revere Nickel (ARN)  
Antique Nickel (AN)  
Burnished Nickel (BN)  
Matte Black (MB)  
Polished Chrome (PC)  
Polished Nickel (PN)  
Revere Nickel (RN)  
Satin Nickel (SN)  
Weathered Antique Nickel (WA)  
Weathered Copper (WC)  
Weathered Nickel (WN)

### LEVEL 3

Antique Polished Silver (APS)  
Antique Revere Silver (ARS)  
Polished Silver (PS)  
Revere Silver (RS)  
Satin Silver (SS)

### PRICE ON REQUEST

Polished Gold (PG)  
Satin Gold (SG)

Custom finishes available on request.