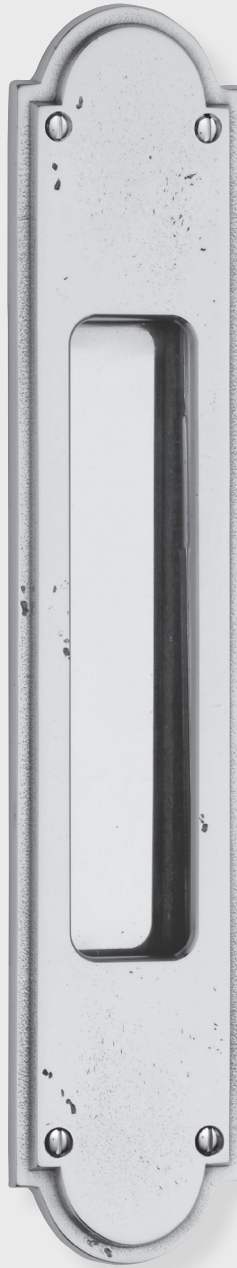


CLASSIC BRASS

JAMESTOWN, NEW YORK

FLUSH PULLS

MONTANA COLLECTION



FLUSH PULLS

APPLICATIONS

- 8892 Flush Pull Only
- 8893 Flush Pull w/ Turnpiece
- 8894 Flush Pull w/ Cylinder
- 8895 Flush Pull Set - PASSAGE w/ 9730
- 8896 Flush Pull Set - PASSAGE w/ Accurate 2000
- 8897 Flush Pull Set - PRIVACY w/ Accurate 2002

PRODUCT DIMENSIONS

2-1/2" x 12"

MATERIALS

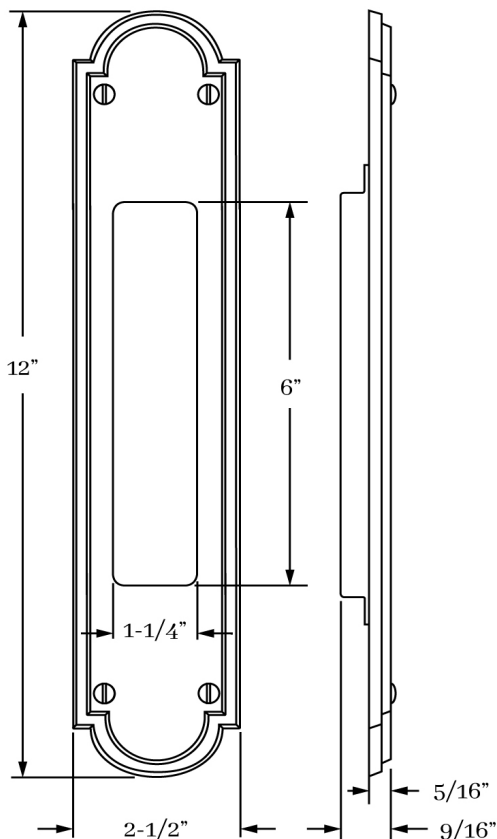
Solid Bronze

HOW TO ORDER

1. Specify application.
2. Specify finish.
3. Specify door thickness. Standard is 1-3/4".

REMEMBER

1. Specify application.
2. Verify jamb clearance for escutcheon projection.
3. Edge pulls available - Standard or Mortise.
4. Custom drilling available.
5. Oval slot wood screws (4/ea) are standard on the escutcheons.



SET COMPONENTS

Flush Pull Only includes one flush pull ONLY and mounting hardware.

Flush Pull Set - PASSAGE w/ 9730 includes two flush pulls, one edge pull and mounting hardware.

Flush Pull Set - PASSAGE w/ Accurate 2000 includes two flush pulls, Accurate 2000 edge pull and mounting hardware.

Flush Pull Set - PRIVACY w/ Accurate 2002 includes exterior flush pull w/ EE trim, interior flush pull w/ turnpiece, Accurate 2002 flush pull mortise lock, strike and mounting hardware.

CLASSIC BRASS

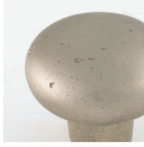
JAMESTOWN, NEW YORK

SIGNATURE FINISHES

SOLID BRONZE FINISHES



AGED IRON
(AI)



AGED SILVER
(AS)



AGED BRONZE
(AZ)



MATTE BLACK
(MB)



NATURAL BRONZE
(NB)



STERLING
(ST)

FINISHES

- Aged Iron (AI)
- Aged Silver (AS)
- Aged Bronze (AZ)
- Matte Black (MB)
- Natural Bronze (NB)
- Sterling (ST)

CUSTOM FINISHES AVAILABLE
UPON REQUEST.