

CLASSIC BRASS

JAMESTOWN, NEW YORK

LEVER AND ESCUTCHEON

MONTANA COLLECTION



LEVER AND ESCUTCHEON

1-3/4" X 10" ESCUTCHEON SETS

- 8828 Lever Escutcheon Set - PASSAGE
- 8829 Lever Escutcheon Set - LATCH x M/B
- 8830 Lever Escutcheon Set - FULL DUMMY
- 8831 Lever Escutcheon Set - HALF DUMMY

Above sets include 8957 Lever

2-1/2" X 12" ESCUTCHEON SETS

- 8842 Lever Escutcheon Set - PASSAGE
- 8843 Lever Escutcheon Set - PRIVACY
- 8845 Lever Escutcheon Set - LATCH x M/B
- 8847 Lever Escutcheon Set - FULL DUMMY
- 8848 Lever Escutcheon Set - HALF DUMMY

Above sets include 8957 Lever

MATERIALS

Solid Bronze

SPINDLES

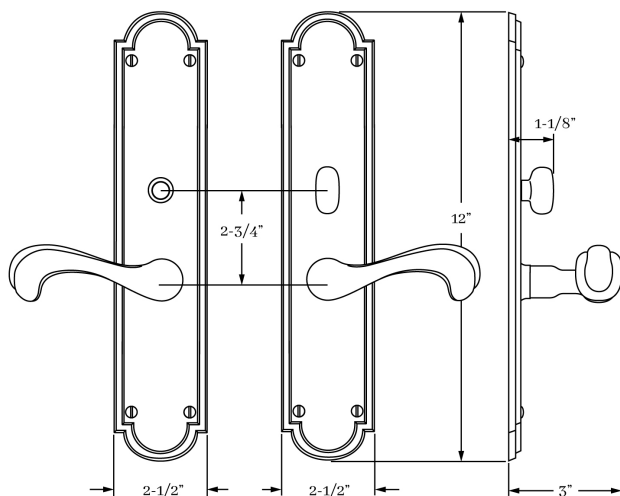
8mm SQ (standard)

HOW TO ORDER

1. Specify application.
2. Specify finish. If split finish is required, please indicate exterior/interior.
3. Specify door thickness. Standard thickness is 1-3/4".
4. Specify hand of door - RH/LH.
5. Specify backset.
 - standard is 2-3/8" for tubular.
 - standard is 2-1/2" for mortise.

REMEMBER

1. All levers are interchangeable.
2. FULL LIP strikes are standard. Specify SUB "T" strike, if required.
3. Standard backset is 2-3/8" for tubular. If required, specify 2-3/4".
4. Custom drilling available.
5. Combination strike and faceplate available for latch x mortise bolt function.
6. Oval slot head wood screws (4/ea) are standard on the escutcheons.



SET COMPONENTS

Lever Escutcheon Set - PASSAGE includes two escutcheons, two levers, 4" straight spindle (8mm), passage latch L x L (2-3/8" backset), faceplate, full lip strike, dust box and mounting hardware.

Lever Escutcheon Set - PRIVACY includes two escutcheons with privacy pin hole, two levers, 4" swivel spindle (8mm), privacy latch L x L (2-3/8" backset), privacy pin, faceplate, full lip strike, dust box and mounting hardware.

Lever Escutcheon Set - LATCH x MORTISE BOLT includes an exterior escutcheon w/ EE hole, an interior escutcheon w/ turnpiece attached, two levers, 4" straight spindle (8mm), passage latch L x L (2-3/8" backset) latch faceplate, full lip strike, mortise bolt (2-3/8" backset), mortise bolt faceplate, mortise bolt strike, dust boxes and mounting hardware. NOTE: our standard spacing between lever hub and mortise bolt is 2-3/4".

Lever Escutcheon Set - FULL DUMMY includes two escutcheons, two levers, 4" straight spindle (8mm), two dummy mounting plates and mounting hardware.

Lever Escutcheon Set - HALF DUMMY includes an escutcheon, lever, dummy mount spindle and mounting hardware.

CLASSIC BRASS

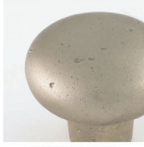
JAMESTOWN, NEW YORK

SIGNATURE FINISHES

SOLID BRONZE FINISHES



AGED IRON
(AI)



AGED SILVER
(AS)



AGED BRONZE
(AZ)



MATTE BLACK
(MB)



NATURAL BRONZE
(NB)



STERLING
(ST)

FINISHES

Aged Iron (AI)
Aged Silver (AS)
Aged Bronze (AZ)
Matte Black (MB)
Natural Bronze (NB)
Sterling (ST)

CUSTOM FINISHES AVAILABLE
UPON REQUEST.