

CLASSIC BRASS

JAMESTOWN, NEW YORK

KNOB AND ESCUTCHEON

MONTANA COLLECTION



KNOB AND ESCUTCHEON

1-3/4" X 10" ESCUTCHEON SETS

- 8824 Knob Escutcheon Set - PASSAGE
- 8825 Knob Escutcheon Set - LATCH x M/B
- 8826 Knob Escutcheon Set - FULL DUMMY
- 8827 Knob Escutcheon Set - HALF DUMMY

Above sets include 8950 Knob

2-1/2" X 12" ESCUTCHEON SETS

- 8832 Knob Escutcheon Set - PASSAGE
- 8833 Knob Escutcheon Set - PRIVACY
- 8835 Knob Escutcheon Set - LATCH x M/B
- 8837 Knob Escutcheon Set - FULL DUMMY
- 8838 Knob Escutcheon Set - HALF DUMMY

Above sets include 8950 Knob

MATERIALS

Solid Bronze

SPINDLES

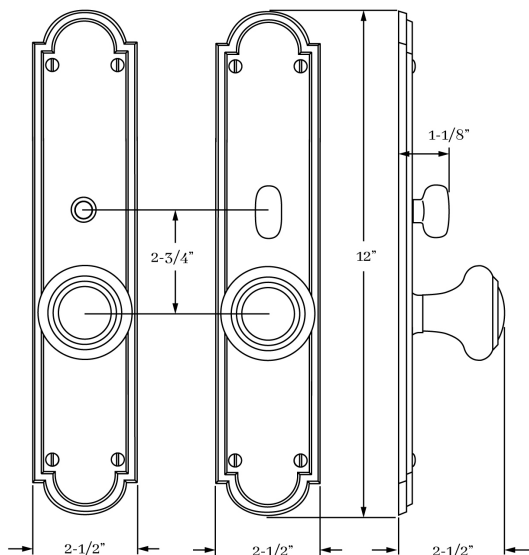
8mm SQ (standard)

HOW TO ORDER

1. Specify application.
2. Specify finish. If split finish is required, please indicate exterior/interior.
3. Specify door thickness. Standard thickness is 1-3/4".
4. Specify hand of door - RH/LH.
5. Specify backset.
 - standard is 2-3/8" for tubular.
 - standard is 2-1/2" for mortise.

REMEMBER

1. All knobs are interchangeable.
2. FULL LIP strikes are standard. Specify SUB "T" strike, if required.
3. Standard backset is 2-3/8" for tubular. If required, specify 2-3/4".
4. Custom drilling available.
5. Combination strike and faceplate available for latch x mortise bolt function.
6. Oval slot head wood screws (4/ea) are standard on the escutcheons.



SET COMPONENTS

Knob Escutcheon Set - PASSAGE includes two escutcheons, two knobs, 4" straight spindle (8mm), passage latch K x K (2-3/8" backset), faceplate, full lip strike, dust box and mounting hardware.

Knob Escutcheon Set - PRIVACY includes two escutcheons with privacy pin hole, two knobs, 4" swivel spindle (8mm), privacy latch K x K (2-3/8" backset), privacy pin, faceplate, full lip strike, dust box and mounting hardware.

Knob Escutcheon Set - LATCH x MORTISE BOLT includes an exterior escutcheon w/ EE hole, an interior escutcheon w/ turnpiece attached, two knobs, 4" straight spindle (8mm), passage latch K x K (2-3/8" backset) latch faceplate, full lip strike, mortise bolt (2-3/8" backset), mortise bolt faceplate, mortise bolt strike, dust boxes and mounting hardware. NOTE: our standard spacing between knob hub and mortise bolt is 2-3/4".

Knob Escutcheon Set - FULL DUMMY includes two escutcheons, two knobs, 4" straight spindle (8mm), two dummy mounting plates and mounting hardware.

Knob Escutcheon Set - HALF DUMMY includes an escutcheon, knob, dummy mount spindle and mounting hardware.

CLASSIC BRASS

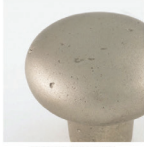
JAMESTOWN, NEW YORK

SIGNATURE FINISHES

SOLID BRONZE FINISHES



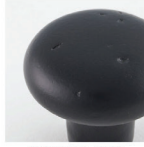
AGED IRON
(AI)



AGED SILVER
(AS)



AGED BRONZE
(AZ)



MATTE BLACK
(MB)



NATURAL BRONZE
(NB)



STERLING
(ST)

FINISHES

- Aged Iron (AI)
- Aged Silver (AS)
- Aged Bronze (AZ)
- Matte Black (MB)
- Natural Bronze (NB)
- Sterling (ST)

CUSTOM FINISHES AVAILABLE
UPON REQUEST.