

CLASSIC BRASS

JAMESTOWN, NEW YORK

ENTRANCE KNOB SETS

MONTANA COLLECTION



ENTRANCE KNOB SETS

APPLICATIONS

8810 Knob Mortise Entrance Set

8811 Knob Mortise Entrance Set - FULL DUMMY

8812 Knob Latch x Auxiliary Deadbolt Set

8813 Knob Latch x Auxiliary Deadbolt Set - FULL DUMMY

Above sets include 8950 Knob

DIMENSIONS

Interior Escutcheon 2-1/2" x 12"

Exterior Escutcheon 2-1/2" x 12"

MATERIALS

Solid Bronze

SPINDLES

8mm SQ (standard)

HOW TO ORDER

1. Specify application.
2. Specify finish. If split finish is required, please indicate exterior/interior.
3. Specify door thickness. Standard thickness is 1-3/4".
4. Specify hand of door - RH/LH.
5. Specify backset.
 - standard for mortise lock is 2-1/2".
 - standard for auxiliary deadbolt is 2-3/8".

REMEMBER

1. All knobs are interchangeable.
2. Standard mortise lock is 2-1/2" EE. Specify 2-3/4" if required.
3. Standard latch x auxiliary deadbolt: 5-1/2" c-c spacing and 2-3/8" backset. If required, specify 2-3/4" backset.
4. A door thickness greater than 1-3/4" will require a #9901 thick door kit for mortise application.
5. Custom drilling available.
6. Oval slot head wood screws (4/ea) are standard on the escutcheons.

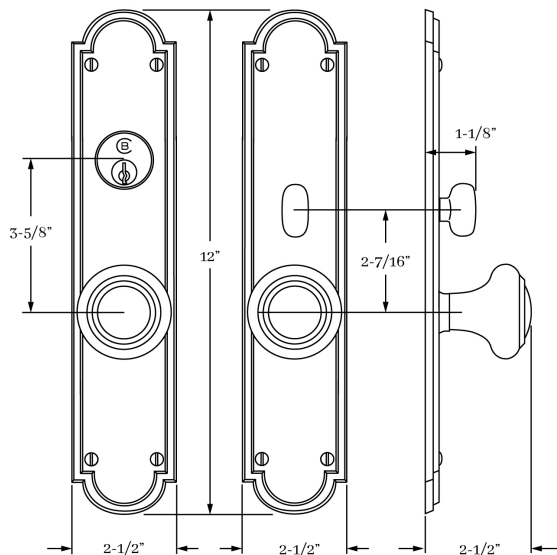


SET COMPONENTS

Entrance Knob Set - Mortise Lock includes exterior plate, interior plate with turnpiece, two knobs, 4" swivel spindle (8mm), Accurate 9124 K x K mortise lock (2-1/2" backset), faceplate, strike 1-1/4" LTC, dust box, mortise cylinder and mounting hardware.

Entrance Knob Set - Latch x Auxiliary Deadbolt includes an exterior plate, interior plate with turnpiece, two knobs, passage latch K x K (2-3/8" backset), 4" straight spindle (8mm), auxiliary deadbolt (2-3/8" backset), rim cylinder, latch faceplate, full lip strike, dust boxes and mounting hardware. NOTE: our standard spacing between knob hub and auxiliary deadbolt is 5-1/2" c-c.

Entrance Knob Set - FULL DUMMY includes exterior plate, interior plate, two knobs, 4" straight spindle (8mm) and full dummy mounting hardware.



CLASSIC BRASS

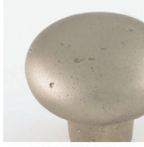
JAMESTOWN, NEW YORK

SIGNATURE FINISHES

SOLID BRONZE FINISHES



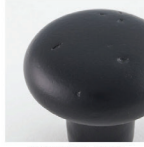
AGED IRON
(AI)



AGED SILVER
(AS)



AGED BRONZE
(AZ)



MATTE BLACK
(MB)



NATURAL BRONZE
(NB)



STERLING
(ST)

FINISHES

Aged Iron (AI)
Aged Silver (AS)
Aged Bronze (AZ)
Matte Black (MB)
Natural Bronze (NB)
Sterling (ST)

CUSTOM FINISHES AVAILABLE
UPON REQUEST.