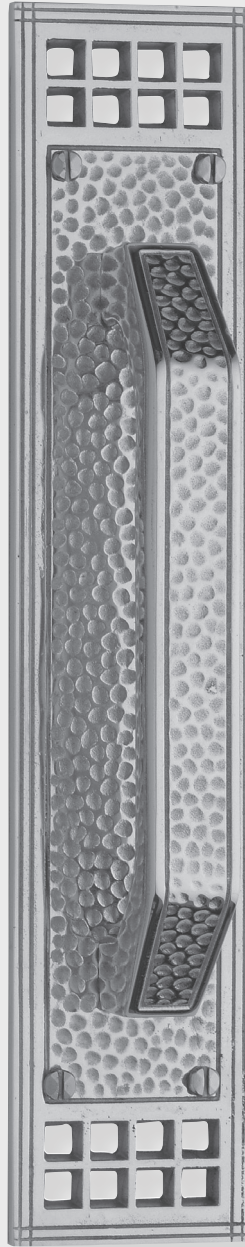


CLASSIC BRASS

JAMESTOWN, NEW YORK

PULL PLATES

ARTS & CRAFTS COLLECTION



PULL PLATES

APPLICATIONS

8685 Pull Plate 2-3/8" x 12" (P) 8689

8686 Pull Plate 2-7/8" x 19-3/8" (P) 8689

MATERIALS

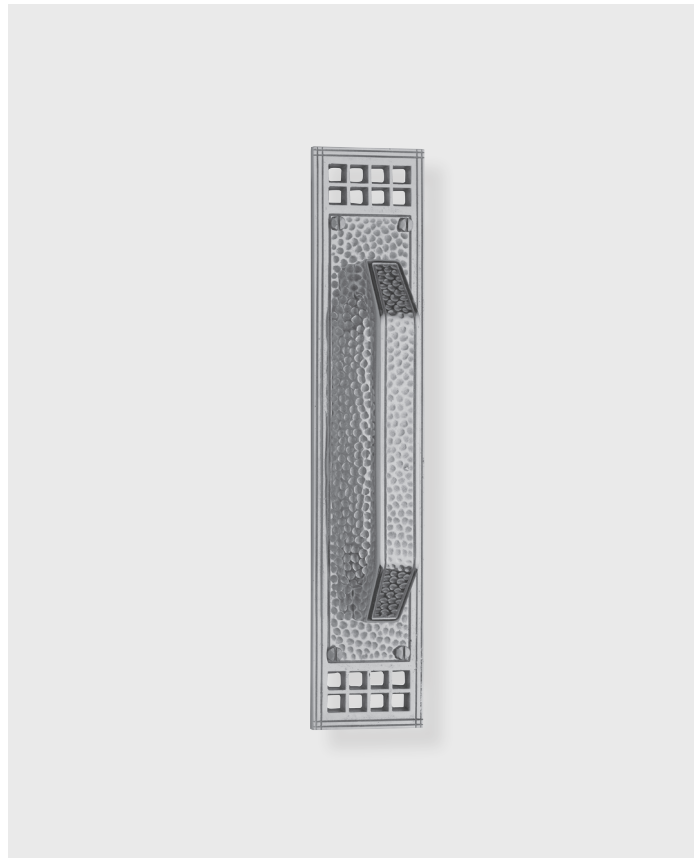
Solid Bronze

HOW TO ORDER

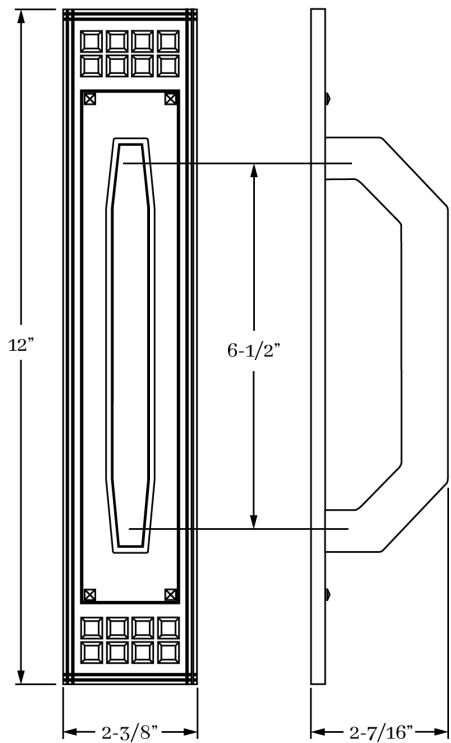
1. Specify application.
2. Specify finish.
3. Specify door thickness. Standard is 1-3/4".

REMEMBER

1. Back-to-back applications available for pulls and pull plates. Specify #9958 for BTB and #9959 for Single Sided mounting.
2. Custom drilling available.



ARTS & CRAFTS | DOOR



SET COMPONENTS

Pull Plate Only includes one pull mounted to plate and mounting hardware.

CLASSIC BRASS

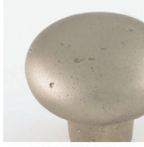
JAMESTOWN, NEW YORK

SIGNATURE FINISHES

SOLID BRONZE FINISHES



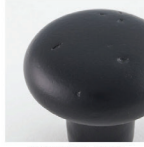
AGED IRON
(AI)



AGED SILVER
(AS)



AGED BRONZE
(AZ)



MATTE BLACK
(MB)



NATURAL BRONZE
(NB)



STERLING
(ST)

FINISHES

Aged Iron (AI)
Aged Silver (AS)
Aged Bronze (AZ)
Matte Black (MB)
Natural Bronze (NB)
Sterling (ST)

Custom finishes available on request.