

# CLASSIC BRASS

JAMESTOWN, NEW YORK

## ENTRANCE KNOB SETS

---

HYDE PARK COLLECTION



# ENTRANCE KNOB SETS

## APPLICATIONS

8410 Knob Mortise Entrance Set

8411 Knob Mortise Entrance Set - FULL DUMMY

8412 Knob Latch x Auxiliary Deadbolt Set

8413 Knob Latch x Auxiliary Deadbolt Set - FULL DUMMY

Above sets include 8550 Knob

## DIMENSIONS

Interior Escutcheon 2-1/2" x 14"

Exterior Escutcheon 2-1/2" x 14"

## MATERIALS

Solid Brass

## SPINDLES

8mm SQ (standard)

## HOW TO ORDER

1. Specify application.
2. Specify finish. If split finish is required, please indicate exterior/interior.
3. Specify door thickness. Standard thickness is 1-3/4".
4. Specify hand of door - RH/LH.
5. Specify backset.
  - standard for mortise lock is 2-1/2".
  - standard for auxiliary deadbolt is 2-3/8".

## REMEMBER

1. All knobs are interchangeable.
2. Standard mortise lock is 2-1/2" EE. Specify 2-3/4" if required.
3. Standard latch x auxiliary deadbolt: 5-1/2" c-c spacing and 2-3/8" backset. If required, specify 2-3/4" backset.
4. A door thickness greater than 1-3/4" will require a #9901 thick door kit for mortise application.
5. Custom drilling available.
6. Oval slot head wood screws (4/ea) are standard on the escutcheons.



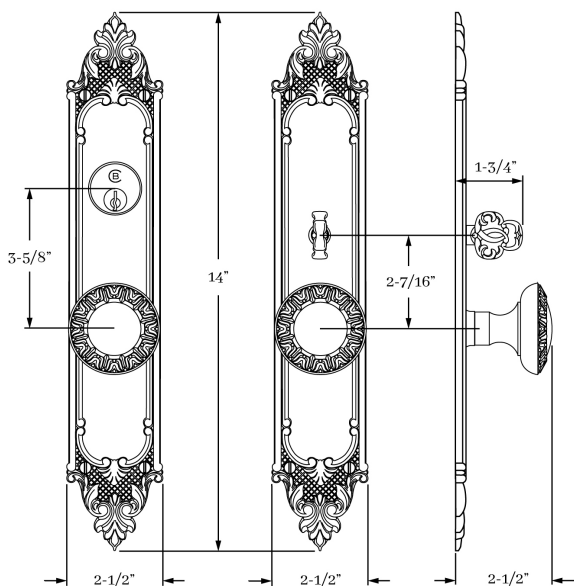
HYDE PARK | DOOR

## SET COMPONENTS

**Entrance Knob Set - Mortise Lock** includes exterior plate, interior plate with turnpiece, two knobs, 4" swivel spindle (8mm), Accurate 9124 K x K mortise lock (2-1/2" backset), faceplate, strike 1-1/4" LTC, dust box, mortise cylinder and mounting hardware.

**Entrance Knob Set - Latch x Auxiliary Deadbolt** includes an exterior plate, interior plate with turnpiece, two knobs, passage latch K x K (2-3/8" backset), 4" straight spindle (8mm), auxiliary deadbolt (2-3/8" backset), rim cylinder, latch faceplate, full lip strike, dust boxes and mounting hardware. NOTE: our standard spacing between knob hub and auxiliary deadbolt is 5-1/2" c-c.

**Entrance Knob Set - FULL DUMMY** includes exterior plate, interior plate, two knobs, 4" straight spindle (8mm) and full dummy mounting hardware.



CLASSIC BRASS

JAMESTOWN, NEW YORK

# CLASSIC BRASS

JAMESTOWN, NEW YORK

## SIGNATURE FINISHES

### SOLID BRASS FINISHES



ANTIQUE BRASS  
(AB)



ANTIQUE BURNISHED  
BRASS (ABB)



ANTIQUE BURNISHED  
NICKEL (ABN)



ANTIQUE NICKEL  
(AN)



ANTIQUE POLISHED  
SILVER (APS)



BURNISHED BRASS  
(BB)



BURNISHED NICKEL  
(BN)



OIL RUBBED  
BRONZE (BZ)



KENSINGTON  
(KN)



MATTE BLACK  
(MB)



POLISHED ANTIQUE  
(PA)



POLISHED ANTIQUE  
NO LACQUER (PANL)



POLISHED BRASS  
(PB)



POLISHED BRASS  
NO LACQUER (PBNL)



POLISHED CHROME  
(PC)



POLISHED GOLD  
(PG)



POLISHED NICKEL  
(PN)



POLISHED SILVER  
(PS)



REVERE BRASS  
(RB)



REVERE NICKEL  
(RN)



REVERE TARNISHED  
(RT)



SATIN BRASS  
(SB)



SATIN BRASS  
NO LACQUER (SBNL)



SATIN GOLD  
(SG)



SATIN NICKEL  
(SN)



SATIN SILVER  
(SS)



SATIN TARNISHED  
(STN)



TARNISHED  
(TN)



WEATHERED ANTIQUE  
NICKEL (WA)



WEATHERED BRASS  
(WB)



WEATHERED BRONZE  
(WZ)



WEATHERED COPPER  
(WC)



WEATHERED NICKEL  
(WN)

### LEVEL 1

Antique Brass (AB)  
Antique Burnished Brass (ABB)  
Burnished Brass (BB)  
Oil Rubbed Bronze (BZ)  
Kensington (KN)  
Polished Antique (PA)  
Polished Antique — No Lacquer (PANL)  
Polished Brass (PB)  
Polished Brass — No Lacquer (PBNL)  
Revere Brass (RB)  
Revere Tarnished (RT)  
Satin Brass (SB)  
Satin Brass — No Lacquer (SBNL)  
Tarnished (TN)  
Weathered Brass (WB)  
Weathered Bronze (WZ)

### LEVEL 2

Antique Burnished Nickel (ABN)  
Antique Nickel (AN)  
Burnished Nickel (BN)  
Matte Black (MB)  
Polished Chrome (PC)  
Polished Nickel (PN)  
Revere Nickel (RN)  
Satin Nickel (SN)  
Weathered Antique Nickel (WA)  
Weathered Copper (WC)  
Weathered Nickel (WN)

### LEVEL 3

Antique Polished Silver (APS)  
Polished Silver (PS)  
Satin Silver (SS)

### PRICE ON REQUEST

Polished Gold (PG)  
Satin Gold (SG)

Custom finishes available on request.