

CLASSIC BRASS

JAMESTOWN, NEW YORK

M/P SETS - AMERICAN

ST. GEORGES COLLECTION



M/P SETS - AMERICAN

1-3/4" X 10" MULTI POINT SETS

- 8064 Lever Amer M/P Set - ENTRANCE
- 8065 Lever Amer M/P Set - FULL DUMMY
- 8066 Lever Amer M/P Set - ACTIVE DUMMY
- 8067 Lever Amer M/P Set - PATIO

Above sets include 8157 Lever

2-3/8" X 13-3/4" MULTI POINT SETS

- 8070 Lever Amer M/P Set - ENTRANCE
- 8071 Lever Amer M/P Set - FULL DUMMY
- 8072 Lever Amer M/P Set - ACTIVE DUMMY
- 8073 Lever Amer M/P Set - PATIO

Above sets include 8157 Lever

MATERIALS

Solid Brass

SPINDLES

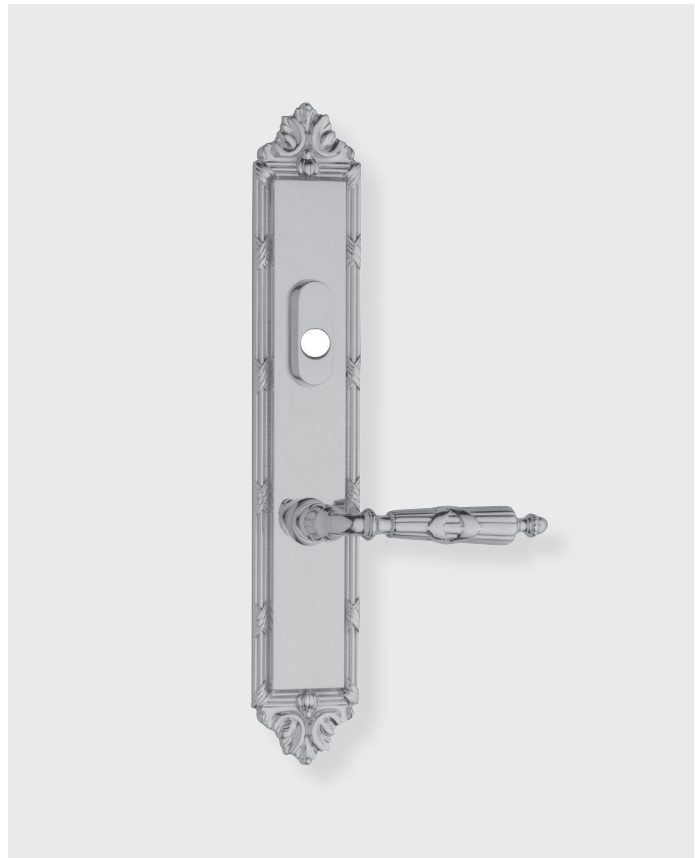
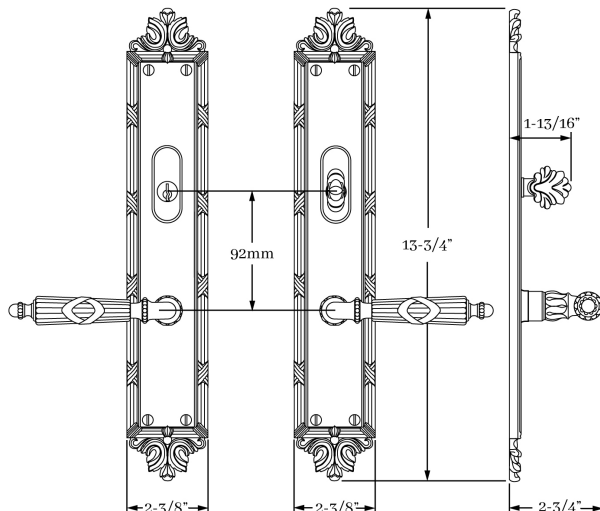
8mm SQ (standard)

HOW TO ORDER

1. Specify application.
2. See our M/P Check Sheet (Form 500) for additional information.
3. Specify finish. If split finish is required, please indicate exterior/interior.
4. Specify door thickness. Standard thickness is 1-3/4".
5. Specify hand of door - RH/LH.
6. Specify fixed or active exterior lever when ordering active dummy set.

REMEMBER

1. Complete our M/P Check Sheet (Form 500).
2. Standard M/P American cylinder applications: LEVER LOW - 92mm spacing.
3. Specify LEVER HIGH or custom c-c spacing if required.
4. All levers are interchangeable.
5. American cylinder included with Entrance function only.
6. Strike not included.
7. Custom drilling available.



SET COMPONENTS

Lever Amer M/P Set - ENTRANCE includes two escutcheons, two levers, 4" straight spindle (8mm), American profile cylinder and mounting hardware. NOTE: our standard spacing between lever hub and the profile cylinder is 92mm.

Lever Amer M/P Set - FULL DUMMY includes two escutcheons, two levers, 4" straight spindle (8mm), two dummy mount plates and mounting hardware.

Lever Amer M/P Set - ACTIVE DUMMY includes two escutcheons, two levers, 4" swivel spindle (8mm), dummy mount plates for exterior and mounting hardware.

Lever Amer M/P Set - PATIO includes exterior escutcheon, interior escutcheon (for American profile application turnpiece w/ tailpiece attached to escutcheon), two levers, 4" straight spindle (8mm) and mounting hardware. NOTE: our standard spacing between lever hub and the turnpiece is 92mm.

CLASSIC BRASS

JAMESTOWN, NEW YORK

SIGNATURE FINISHES

SOLID BRASS FINISHES



ANTIQUE BRASS
(AB)



ANTIQUE BURNISHED
BRASS (ABB)



ANTIQUE BURNISHED
NICKEL (ABN)



ANTIQUE NICKEL
(AN)



ANTIQUE POLISHED
SILVER (APS)



BURNISHED BRASS
(BB)



BURNISHED NICKEL
(BN)



OIL RUBBED
BRONZE (BZ)



KENSINGTON
(KN)



MATTE BLACK
(MB)



POLISHED ANTIQUE
(PA)



POLISHED ANTIQUE
NO LACQUER (PANL)



POLISHED BRASS
(PB)



POLISHED BRASS
NO LACQUER (PBNL)



POLISHED CHROME
(PC)



POLISHED GOLD
(PG)



POLISHED NICKEL
(PN)



POLISHED SILVER
(PS)



REVERE BRASS
(RB)



REVERE NICKEL
(RN)



REVERE TARNISHED
(RT)



SATIN BRASS
(SB)



SATIN BRASS
NO LACQUER (SBNL)



SATIN GOLD
(SG)



SATIN NICKEL
(SN)



SATIN SILVER
(SS)



SATIN TARNISHED
(STN)



TARNISHED
(TN)



WEATHERED ANTIQUE
NICKEL (WA)



WEATHERED BRASS
(WB)



WEATHERED BRONZE
(WZ)



WEATHERED COPPER
(WC)



WEATHERED NICKEL
(WN)

LEVEL 1

Antique Brass (AB)
Antique Burnished Brass (ABB)
Burnished Brass (BB)
Oil Rubbed Bronze (BZ)
Kensington (KN)
Polished Antique (PA)
Polished Antique — No Lacquer (PANL)
Polished Brass (PB)
Polished Brass — No Lacquer (PBNL)
Revere Brass (RB)
Revere Tarnished (RT)
Satin Brass (SB)
Satin Brass — No Lacquer (SBNL)
Tarnished (TN)
Weathered Brass (WB)
Weathered Bronze (WZ)

LEVEL 2

Antique Burnished Nickel (ABN)
Antique Nickel (AN)
Burnished Nickel (BN)
Matte Black (MB)
Polished Chrome (PC)
Polished Nickel (PN)
Revere Nickel (RN)
Satin Nickel (SN)
Weathered Antique Nickel (WA)
Weathered Copper (WC)
Weathered Nickel (WN)

LEVEL 3

Antique Polished Silver (APS)
Polished Silver (PS)
Satin Silver (SS)

PRICE ON REQUEST

Polished Gold (PG)
Satin Gold (SG)

Custom finishes available on request.