

CLASSIC BRASS

JAMESTOWN, NEW YORK

LEVER SCREEN DOOR SET

HUTTER COLLECTION



LEVER SCREEN DOOR SET

APPLICATIONS

7894 Lever Screen Door Set - PASSAGE
7895 Lever Screen Door Set - PATIO
7381 Lever Screen Door Set - FULL DUMMY
Above sets include 4386 Lever

PRODUCT DIMENSIONS

Lever 2-9/16"
Escutcheon 1-1/2" x 6"

MATERIALS

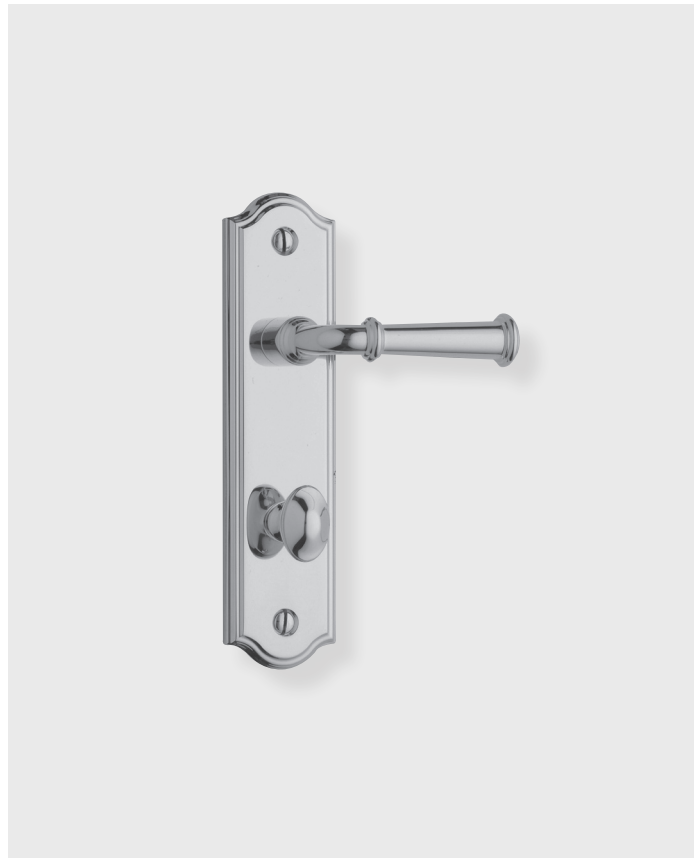
Solid Brass

HOW TO ORDER

1. Specify application.
2. Specify finish. If split finish is required, please indicate exterior/interior.
3. Specify backset. Standard is 2".
4. Specify door thickness.
5. Specify hand of door - RH/LH.

REMEMBER

1. Standard backset is 2". Specify 1-1/2" or 1-3/4" backset if required.
2. Custom escutcheon sizes and drilling available.
3. HUTTER ARCH edge profile is standard. SQUARE CORNER and OFFSET edge options available.



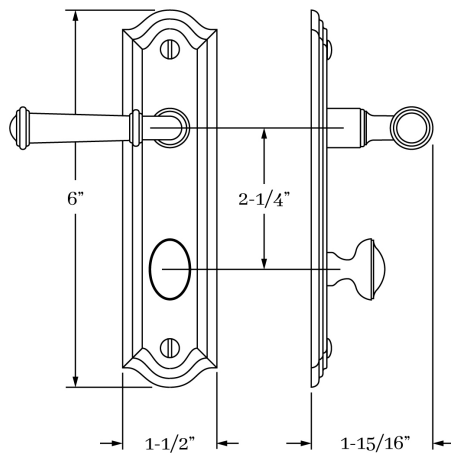
HUTTER | DOOR

SET COMPONENTS

Screen Door Lever Set - PASSAGE includes two escutcheons, two levers, straight spindle (8mm), Accurate 6525 L x L screen door mortise lock (2" backset), strike, faceplate, dust box and mounting hardware.

Screen Door Lever Set - PATIO includes an exterior escutcheon, an interior escutcheon with turnpiece attached, two levers, straight spindle (8mm), Accurate 6539 L x L screen door mortise lock (2" backset), strike, faceplate, dust box and mounting hardware.

Screen Door Lever Set - FULL DUMMY includes two escutcheons, two levers, straight spindle (8mm), two dummy mount plates and mounting hardware.

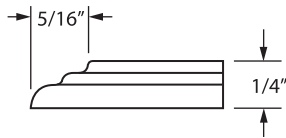
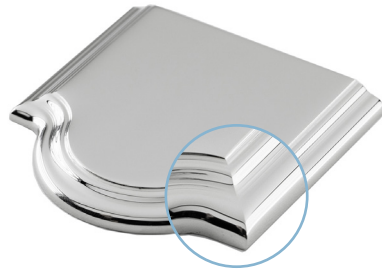


CLASSIC BRASS

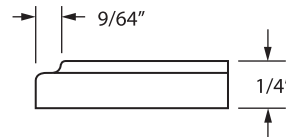
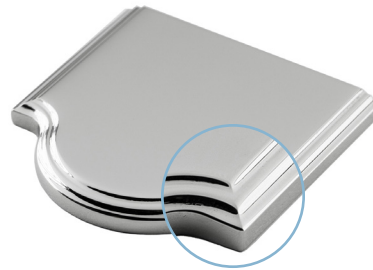
JAMESTOWN, NEW YORK

ARCH ESCUTCHEON
EDGE OPTIONS

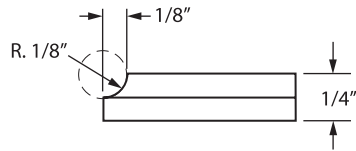
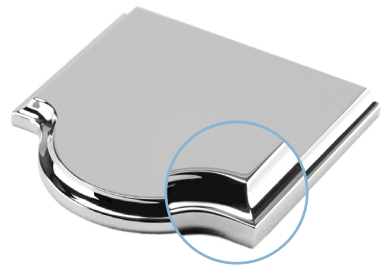
HUTTER ARCH EDGE
Standard



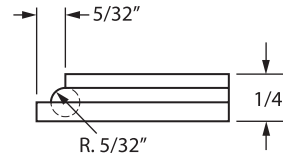
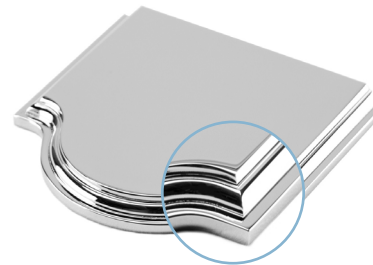
OFFSET ARCH EDGE



LAKEWOOD ARCH EDGE



JAMESTOWN ARCH EDGE



HOW TO ORDER

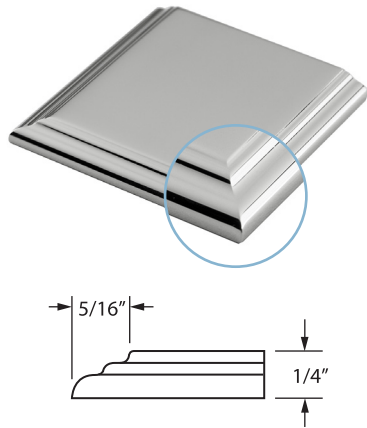
- Specify EDGE DETAIL — Hutter ARCH option is standard. If alternate EDGE DETAIL is required — make sure to specify as SUB (example — SUB OFFSET ARCH).

REMEMBER

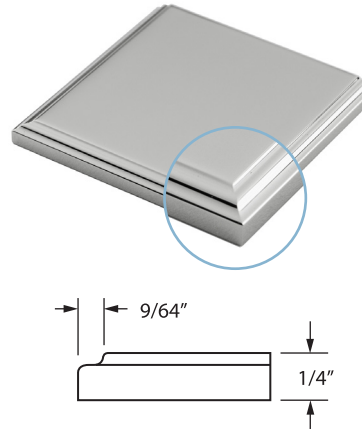
- Custom escutcheon sizes are available.
- Standard escutcheon thickness is 1/4" — alternate thickness available upon request.
- Contact us to discuss custom edge details or profiles.

SQUARE ESCUTCHEON
EDGE OPTIONS

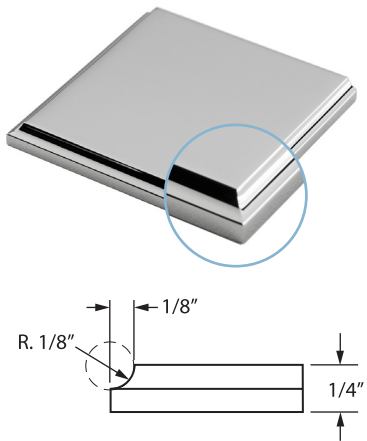
HUTTER SQUARE EDGE



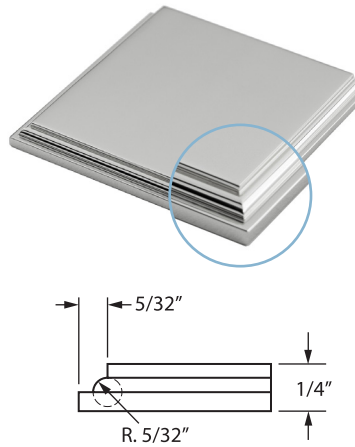
OFFSET SQUARE EDGE



LAKWOOD SQUARE EDGE



JAMESTOWN SQUARE EDGE



HOW TO ORDER

- Hutter ARCH profile is standard. If SQUARE profile required, please specify as SUB (example – SUB SQUARE).
- Specify EDGE DETAIL – Hutter ARCH option is standard. If alternate EDGE DETAIL is required – make sure to specify as SUB (example – SUB OFFSET ARCH).

REMEMBER

- Custom escutcheon sizes are available.
- Standard escutcheon thickness is 1/4" – alternate thickness available upon request.
- Contact us to discuss custom edge details or profiles.

CLASSIC BRASS

JAMESTOWN, NEW YORK

SIGNATURE FINISHES

SOLID BRASS FINISHES



ANTIQUE BRASS
(AB)



ANTIQUE BURNISHED
BRASS (ABB)



ANTIQUE BURNISHED
NICKEL (ABN)



ANTIQUE NICKEL
(AN)



ANTIQUE POLISHED
SILVER (APS)



BURNISHED BRASS
(BB)



BURNISHED NICKEL
(BN)



OIL RUBBED
BRONZE (BZ)



KENSINGTON
(KN)



MATTE BLACK
(MB)



POLISHED ANTIQUE
(PA)



POLISHED ANTIQUE
NO LACQUER (PANL)



POLISHED BRASS
(PB)



POLISHED BRASS
NO LACQUER (PBNL)



POLISHED CHROME
(PC)



POLISHED GOLD
(PG)



POLISHED NICKEL
(PN)



POLISHED SILVER
(PS)



REVERE BRASS
(RB)



REVERE NICKEL
(RN)



REVERE TARNISHED
(RT)



SATIN BRASS
(SB)



SATIN BRASS
NO LACQUER (SBNL)



SATIN GOLD
(SG)



SATIN NICKEL
(SN)



SATIN SILVER
(SS)



SATIN TARNISHED
(STN)



TARNISHED
(TN)



WEATHERED ANTIQUE
NICKEL (WA)



WEATHERED BRASS
(WB)



WEATHERED BRONZE
(WZ)



WEATHERED COPPER
(WC)



WEATHERED NICKEL
(WN)

LEVEL 1

Antique Brass (AB)
Antique Burnished Brass (ABB)
Burnished Brass (BB)
Oil Rubbed Bronze (BZ)
Kensington (KN)
Polished Antique (PA)
Polished Antique — No Lacquer (PANL)
Polished Brass (PB)
Polished Brass — No Lacquer (PBNL)
Revere Brass (RB)
Revere Tarnished (RT)
Satin Brass (SB)
Satin Brass — No Lacquer (SBNL)
Tarnished (TN)
Weathered Brass (WB)
Weathered Bronze (WZ)

LEVEL 2

Antique Burnished Nickel (ABN)
Antique Nickel (AN)
Burnished Nickel (BN)
Matte Black (MB)
Polished Chrome (PC)
Polished Nickel (PN)
Revere Nickel (RN)
Satin Nickel (SN)
Weathered Antique Nickel (WA)
Weathered Copper (WC)
Weathered Nickel (WN)

LEVEL 3

Antique Polished Silver (APS)
Polished Silver (PS)
Satin Silver (SS)

PRICE ON REQUEST

Polished Gold (PG)
Satin Gold (SG)

Custom finishes available on request.