

CLASSIC BRASS

JAMESTOWN, NEW YORK

ENTRANCE LEVER SETS

HUTTER COLLECTION



ENTRANCE LEVER SETS

APPLICATIONS

7816 Lever Mortise Entrance Set

7817 Lever Mortise Entrance Set - FULL DUMMY

7818 Lever Latch x Auxiliary Deadbolt Set

7819 Lever Latch x Auxiliary Deadbolt Set - FULL DUMMY

Above sets include 7975 Lever

MATERIALS

Solid Brass

SPINDLES

8mm SQ (standard)

HOW TO ORDER

1. Specify application.
2. Specify finish. If split finish is required, please indicate exterior/interior.
3. Specify door thickness. Standard thickness is 1-3/4".
4. Specify hand of door - RH/LH.
5. Specify backset.
 - standard for mortise lock is 2-1/2".
 - standard for latch x auxiliary deadbolt is 2-3/8".

REMEMBER

1. Standard mortise lock is 2-1/2" EE. Specify 2-3/4" if required.
2. Standard latch x auxiliary deadbolt: 5-1/2" c-c and 2-3/8" backset. If required, specify 2-3/4" backset.
3. All levers are interchangeable.
4. A door thickness greater than 1-3/4" will require a #9901 thick door kit for mortise application.
5. Custom escutcheon sizes and drilling available.
6. HUTTER ARCH edge profile is standard. SQUARE CORNER and OFFSET edge options available.
7. Oval slot head wood screws (4/ea) are standard on the escutcheons.



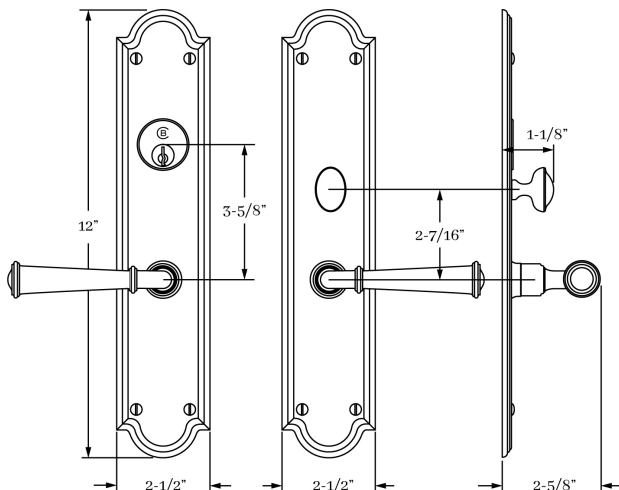
HUTTER | DOOR

SET COMPONENTS

Entrance Lever Set - Mortise Lock includes exterior plate, interior plate with turnpiece, two levers, 4" swivel spindle (8mm), Accurate 9124 L x L mortise lock (2-1/2" backset), faceplate, strike 1-1/4" LTC, dust box, mortise cylinder and mounting hardware.

Entrance Lever Set - Latch x Auxiliary Deadbolt includes exterior plate, interior plate with turnpiece, two levers, passage latch L x L (2-3/8" backset), 4" straight spindle (8mm), auxiliary deadbolt (2-3/8" backset), rim cylinder, turnpiece, latch faceplate, deadbolt faceplate, full lip strike, deadbolt strike, dust boxes and mounting hardware. NOTE: our standard spacing between lever hub and auxiliary deadbolt is 5-1/2" c-c.

Entrance Lever Set - FULL DUMMY includes exterior plate, interior plate, two levers, 4" straight spindle (8mm) and full dummy mounting hardware.

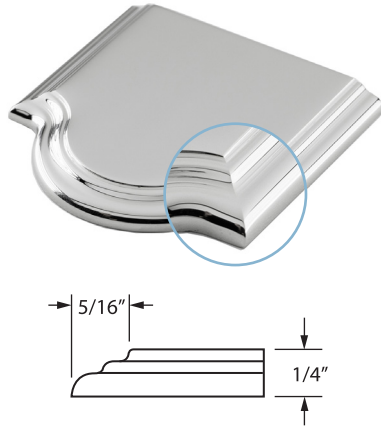


CLASSIC BRASS

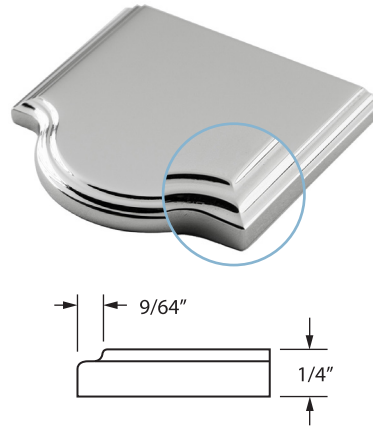
JAMESTOWN, NEW YORK

ARCH ESCUTCHEON
EDGE OPTIONS

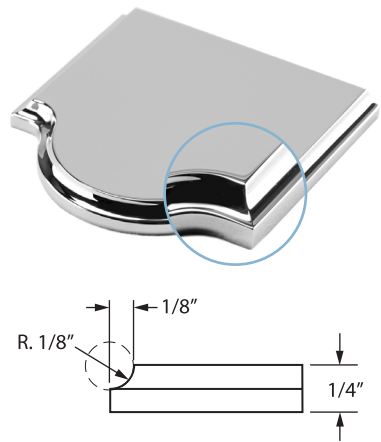
HUTTER ARCH EDGE
Standard



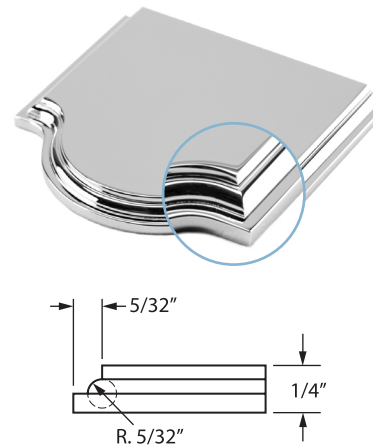
OFFSET ARCH EDGE



LAKEWOOD ARCH EDGE



JAMESTOWN ARCH EDGE



HOW TO ORDER

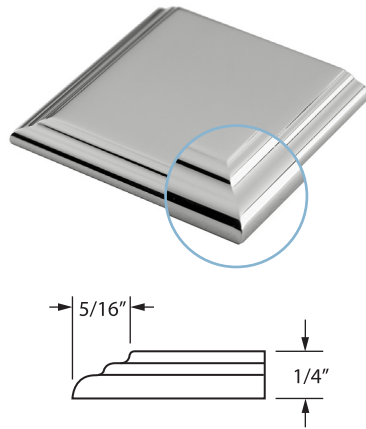
- Specify EDGE DETAIL — Hutter ARCH edge option is standard. If alternate EDGE DETAIL is required — make sure to specify as SUB (example — SUB OFFSET ARCH).

REMEMBER

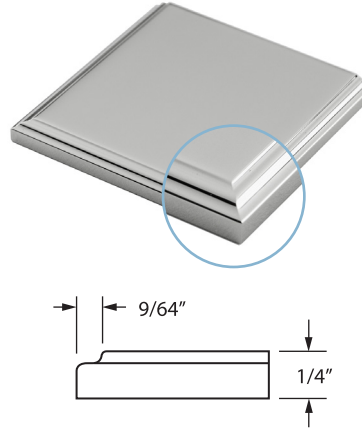
- Custom escutcheon sizes are available.
- Standard escutcheon thickness is 1/4" — alternate thickness available upon request.
- Contact us to discuss custom edge details or profiles.

SQUARE ESCUTCHEON
EDGE OPTIONS

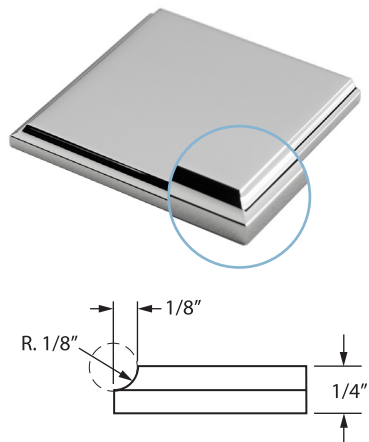
HUTTER SQUARE EDGE



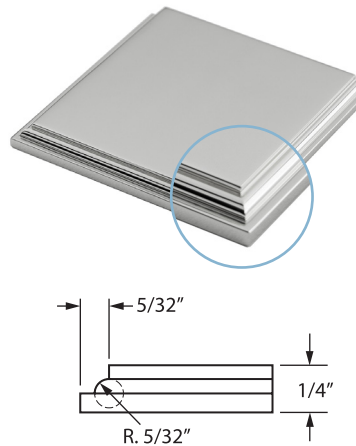
OFFSET SQUARE EDGE



LAKEWOOD SQUARE EDGE



JAMESTOWN SQUARE EDGE



HOW TO ORDER

- Hutter ARCH profile is standard. If SQUARE profile required, please specify as SUB (example – SUB SQUARE).
- Specify EDGE DETAIL – Hutter ARCH edge option is standard. If alternate EDGE DETAIL is required – make sure to specify as SUB (example – SUB OFFSET ARCH).

REMEMBER

- Custom escutcheon sizes are available.
- Standard escutcheon thickness is 1/4" – alternate thickness available upon request.
- Contact us to discuss custom edge details or profiles.

CLASSIC BRASS

JAMESTOWN, NEW YORK

SIGNATURE FINISHES

SOLID BRASS FINISHES



ANTIQUE BRASS
(AB)



ANTIQUE BURNISHED
BRASS (ABB)



ANTIQUE BURNISHED
NICKEL (ABN)



ANTIQUE NICKEL
(AN)



ANTIQUE POLISHED
SILVER (APS)



BURNISHED BRASS
(BB)



BURNISHED NICKEL
(BN)



OIL RUBBED
BRONZE (BZ)



KENSINGTON
(KN)



MATTE BLACK
(MB)



POLISHED ANTIQUE
(PA)



POLISHED ANTIQUE
NO LACQUER (PANL)



POLISHED BRASS
(PB)



POLISHED BRASS
NO LACQUER (PBNL)



POLISHED CHROME
(PC)



POLISHED GOLD
(PG)



POLISHED NICKEL
(PN)



POLISHED SILVER
(PS)



REVERE BRASS
(RB)



REVERE NICKEL
(RN)



REVERE TARNISHED
(RT)



SATIN BRASS
(SB)



SATIN BRASS
NO LACQUER (SBNL)



SATIN GOLD
(SG)



SATIN NICKEL
(SN)



SATIN SILVER
(SS)



SATIN TARNISHED
(STN)



TARNISHED
(TN)



WEATHERED ANTIQUE
NICKEL (WA)



WEATHERED BRASS
(WB)



WEATHERED BRONZE
(WZ)



WEATHERED COPPER
(WC)



WEATHERED NICKEL
(WN)

LEVEL 1

Antique Brass (AB)
Antique Burnished Brass (ABB)
Burnished Brass (BB)
Oil Rubbed Bronze (BZ)
Kensington (KN)
Polished Antique (PA)
Polished Antique — No Lacquer (PANL)
Polished Brass (PB)
Polished Brass — No Lacquer (PBNL)
Revere Brass (RB)
Revere Tarnished (RT)
Satin Brass (SB)
Satin Brass — No Lacquer (SBNL)
Tarnished (TN)
Weathered Brass (WB)
Weathered Bronze (WZ)

LEVEL 2

Antique Burnished Nickel (ABN)
Antique Nickel (AN)
Burnished Nickel (BN)
Matte Black (MB)
Polished Chrome (PC)
Polished Nickel (PN)
Revere Nickel (RN)
Satin Nickel (SN)
Weathered Antique Nickel (WA)
Weathered Copper (WC)
Weathered Nickel (WN)

LEVEL 3

Antique Polished Silver (APS)
Polished Silver (PS)
Satin Silver (SS)

PRICE ON REQUEST

Polished Gold (PG)
Satin Gold (SG)

Custom finishes available on request.