

CLASSIC BRASS

JAMESTOWN, NEW YORK

M/P SETS - EURO SECTIONAL

FIFTH AVENUE COLLECTION



M/P - EURO SECTIONAL

APPLICATIONS

- 7450 Lever Euro M/P Sectional Set - ENTRANCE
- 7451 Lever Euro M/P Sectional Set - FULL DUMMY
- 7452 Lever Euro M/P Sectional Set - ACTIVE DUMMY
- 7453 Lever Euro M/P Sectional Set - PATIO

Above sets include 7773 Lever

MATERIALS

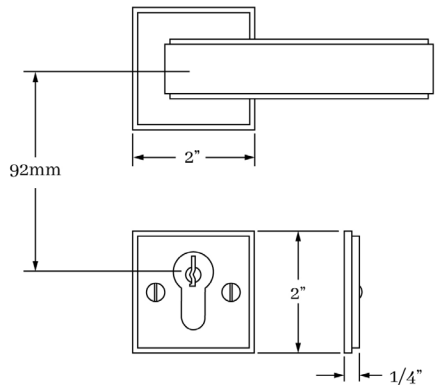
Solid Brass

HOW TO ORDER

1. Specify application.
2. Specify finish. If split finish is required, please indicate exterior/interior.
3. Specify door thickness. Standard thickness is 1-3/4".
4. Specify hand of door - RH/LH.
5. Specify fixed or active exterior lever when ordering active dummy set.

REMEMBER

1. VERIFY door prep will be fully covered by sectional trim.
2. Standard euro profile application is LEVER HIGH - 92mm (hub-cylinder spacing).
3. Door thickness greater than 1-3/4" will require longer euro cylinders and/or offset cylinders. 62mm K x T/P (31mm x 31mm) and 31mm Half Cylinder is standard for 1-3/4" doors.
4. Cylinders INCLUDED with all applications (collection turnpiece attached).
5. Custom rose and cylinder collar sizes available.
6. ONE STEP edge profile is standard. Specify TWO STEP, BEVEL or SLAB edge profile if required.
7. Strike not included.
8. Euro offset cylinders and custom lengths available upon request.



FIFTH AVENUE | DOOR

SET COMPONENTS

Lever Euro M/P Sectional Set - ENTRANCE includes two rosettes, two levers, 4" straight spindle (8mm), euro profile cylinder - 62mm - K x TP and surface mounting screws.

Lever Euro M/P Sectional Set - FULL DUMMY includes two rosettes, two levers, 4" straight spindle (8mm), full dummy mounting hardware and surface mounting screws.

Lever Euro M/P Sectional Set - ACTIVE DUMMY includes two rosettes, two levers, 4" swivel spindle (8mm), full dummy mounting hardware for exterior rosette.

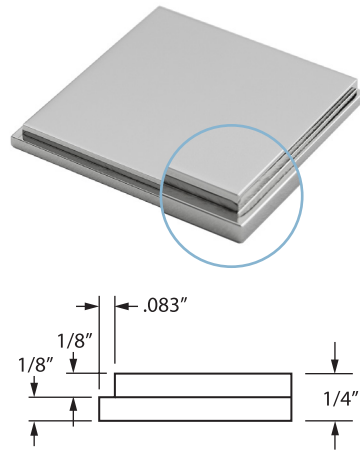
Lever Euro M/P Sectional Set - PATIO includes two rosettes, two levers, one euro cylinder collar, euro profile half cylinder (31mm), 4" straight spindle (8mm) and surface mounting screws.

CLASSIC BRASS

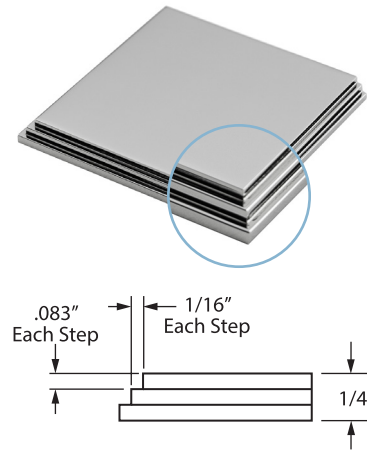
JAMESTOWN, NEW YORK

SQUARE ESCUTCHEON
EDGE OPTIONS

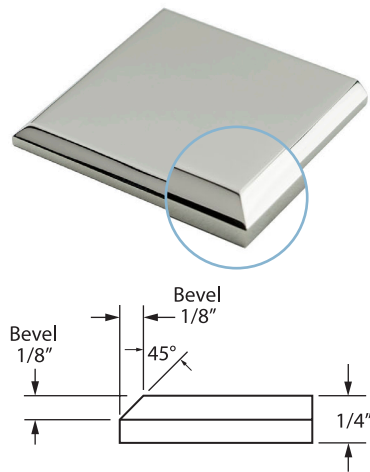
ONE STEP EDGE
Standard



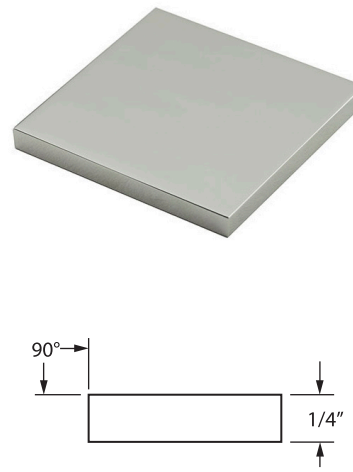
TWO STEP EDGE



BEVEL EDGE



SLAB EDGE



HOW TO ORDER

- Specify EDGE DETAIL — ONE STEP edge option is standard. If alternate EDGE DETAIL is required — make sure to specify as SUB (example — SUB BEVEL).

REMEMBER

- Custom escutcheon sizes are available.
- Standard escutcheon thickness is 1/4" — alternate thickness available upon request.
- Contact us to discuss custom edge details or profiles.

CLASSIC BRASS

JAMESTOWN, NEW YORK

SIGNATURE FINISHES

SOLID BRASS FINISHES



LEVEL 1

- Antique Brass (AB)
- Antique Burnished Brass (ABB)
- Burnished Brass (BB)
- Oil Rubbed Bronze (BZ)
- Kensington (KN)
- Polished Antique (PA)
- Polished Antique — No Lacquer (PANL)
- Polished Brass (PB)
- Polished Brass — No Lacquer (PBNL)
- Revere Brass (RB)
- Revere Tarnished (RT)
- Satin Brass (SB)
- Satin Brass — No Lacquer (SBNL)
- Tarnished (TN)
- Weathered Brass (WB)
- Weathered Bronze (WZ)

LEVEL 2

- Antique Burnished Nickel (ABN)
- Antique Nickel (AN)
- Burnished Nickel (BN)
- Matte Black (MB)
- Polished Chrome (PC)
- Polished Nickel (PN)
- Revere Nickel (RN)
- Satin Nickel (SN)
- Weathered Antique Nickel (WA)
- Weathered Copper (WC)
- Weathered Nickel (WN)

LEVEL 3

- Antique Polished Silver (APS)
- Polished Silver (PS)
- Satin Silver (SS)

PRICE ON REQUEST

- Polished Gold (PG)
- Satin Gold (SG)

Custom finishes available on request.