

CLASSIC BRASS

JAMESTOWN, NEW YORK

CYLINDER COLLAR

SHORE COLLECTION



CYLINDER COLLAR

APPLICATIONS

17879 Cylinder Collar

MATERIALS

Solid Brass

HOW TO ORDER

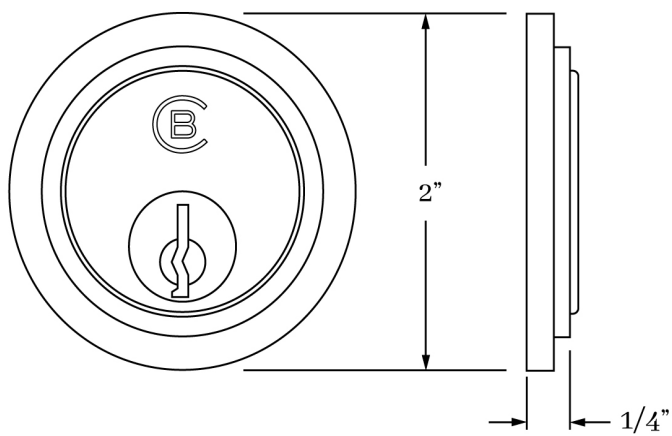
1. Specify finish.

REMEMBER

1. Cylinders order separate.



SHORE | DOOR



CLASSIC BRASS

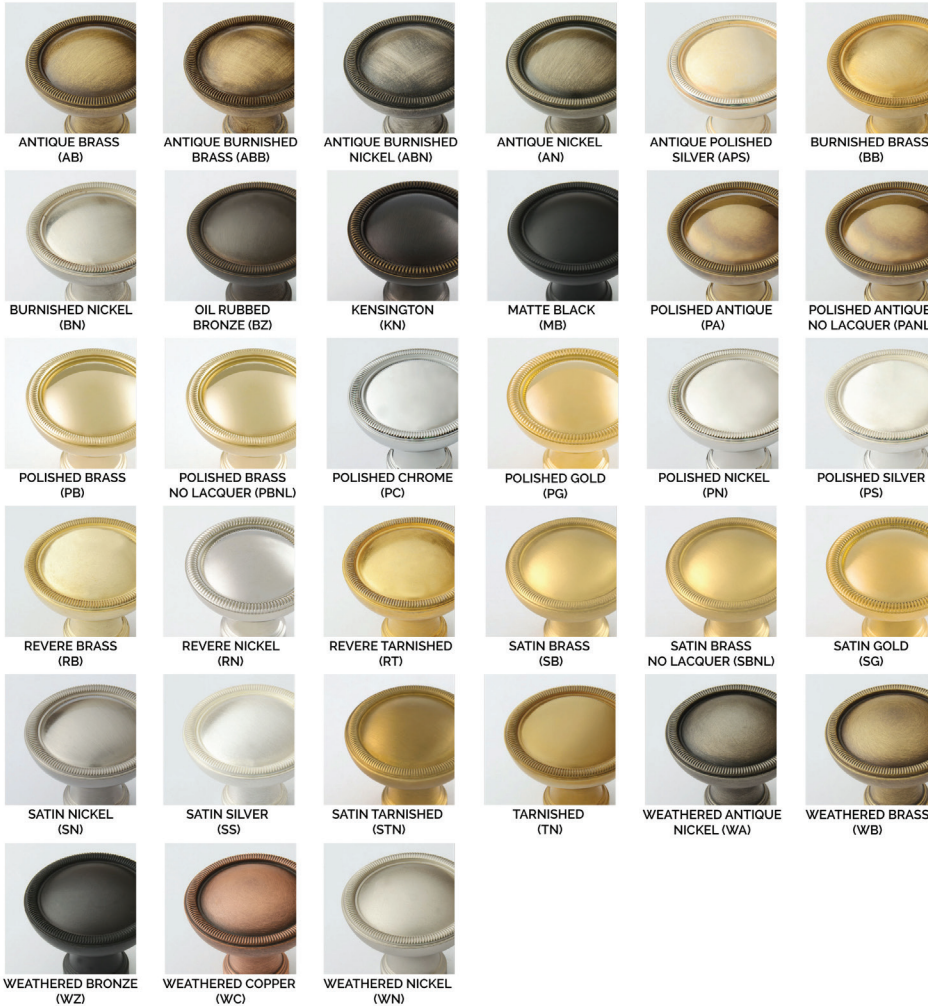
JAMESTOWN, NEW YORK

CLASSIC BRASS

JAMESTOWN, NEW YORK

SIGNATURE FINISHES

SOLID BRASS FINISHES



LEVEL 1

Antique Brass (AB)
Antique Burnished Brass (ABB)
Antique Revere Brass (ARB)
Burnished Brass (BB)
Oil Rubbed Bronze (BZ)
Kensington (KN)
Polished Antique (PA)
Polished Antique — No Lacquer (PANL)
Polished Brass (PB)
Polished Brass — No Lacquer (PBNL)
Revere Brass (RB)
Revere Tarnished (RT)
Satin Brass (SB)
Satin Brass — No Lacquer (SBNL)
Tarnished (TN)
Weathered Brass (WB)
Weathered Bronze (WZ)

LEVEL 2

Antique Burnished Nickel (ABN)
Antique Revere Nickel (ARN)
Antique Nickel (AN)
Burnished Nickel (BN)
Matte Black (MB)
Polished Chrome (PC)
Polished Nickel (PN)
Revere Nickel (RN)
Satin Nickel (SN)
Weathered Antique Nickel (WA)
Weathered Copper (WC)
Weathered Nickel (WN)

LEVEL 3

Antique Polished Silver (APS)
Antique Revere Silver (ARS)
Polished Silver (PS)
Revere Silver (RS)
Satin Silver (SS)

PRICE ON REQUEST

Polished Gold (PG)
Satin Gold (SG)

Custom finishes available on request.