

CLASSIC BRASS

JAMESTOWN, NEW YORK

M/P SETS - EURO SECTIONAL

CHAUTAUQUA COLLECTION



M/P - EURO SECTIONAL

APPLICATIONS

- 13405 Lever Euro M/P Sectional Set - ENTRANCE
- 13406 Lever Euro M/P Sectional Set - FULL DUMMY
- 13407 Lever Euro M/P Sectional Set - ACTIVE DUMMY
- 13408 Lever Euro M/P Sectional Set - PATIO

Above sets include 16300 Lever

MATERIALS

Solid Brass

HOW TO ORDER

1. Specify application.
2. Specify finish. If split finish is required, please indicate exterior/interior.
3. Specify door thickness. Standard thickness is 1-3/4".
4. Specify hand of door - RH/LH.
5. Specify fixed or active exterior lever when ordering active dummy set.

REMEMBER

1. VERIFY door prep will be fully covered by sectional trim.
2. Standard euro profile application is LEVER HIGH - 92mm (hub-cylinder spacing).
3. Door thickness greater than 1-3/4" will require longer euro cylinders and/or offset cylinders. 62mm K x T/P (31mm x 31mm) and 31mm Half Cylinder is standard for 1-3/4" doors.
4. Cylinders INCLUDED with all applications (collection turnpiece attached).
5. Custom rose and cylinder collar sizes available.
6. Strike not included.
7. Euro offset cylinders and custom lengths available upon request.



CHAUTAUQUA | DOOR

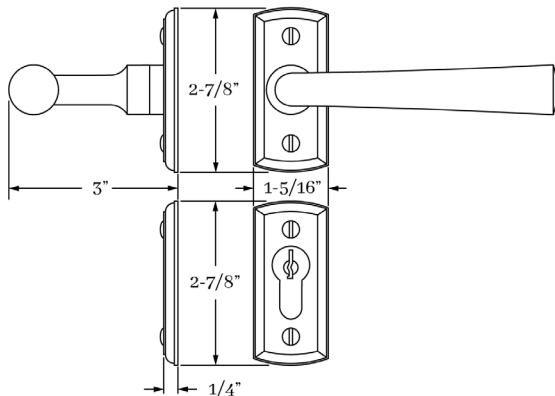
SET COMPONENTS

Lever Euro M/P Sectional Set - ENTRANCE includes two rosettes, two levers, 4" straight spindle (8mm), euro profile cylinder - 62mm - K x TP and surface mounting screws.

Lever Euro M/P Sectional Set - FULL DUMMY includes two rosettes, two levers, 4" straight spindle (8mm), full dummy mounting hardware and surface mounting screws.

Lever Euro M/P Sectional Set - ACTIVE DUMMY includes two rosettes, two levers, 4" swivel spindle (8mm), full dummy mounting hardware for exterior rosette.

Lever Euro M/P Sectional Set - PATIO includes two rosettes, two levers, one euro cylinder collar, euro profile half cylinder (31mm), 4" straight spindle (8mm) and surface mounting screws.



CLASSIC BRASS

JAMESTOWN, NEW YORK

CLASSIC BRASS

JAMESTOWN, NEW YORK

SIGNATURE FINISHES

SOLID BRASS FINISHES



ANTIQUE BRASS
(AB)



ANTIQUE BURNISHED
BRASS (ABB)



ANTIQUE BURNISHED
NICKEL (ABN)



ANTIQUE NICKEL
(AN)



ANTIQUE POLISHED
SILVER (APS)



BURNISHED BRASS
(BB)



BURNISHED NICKEL
(BN)



OIL RUBBED
BRONZE (BZ)



KENSINGTON
(KN)



MATTE BLACK
(MB)



POLISHED ANTIQUE
(PA)



POLISHED ANTIQUE
NO LACQUER (PANL)



POLISHED BRASS
(PB)



POLISHED BRASS
NO LACQUER (PBNL)



POLISHED CHROME
(PC)



POLISHED GOLD
(PG)



POLISHED NICKEL
(PN)



POLISHED SILVER
(PS)



REVERE BRASS
(RB)



REVERE NICKEL
(RN)



REVERE TARNISHED
(RT)



SATIN BRASS
(SB)



SATIN BRASS
NO LACQUER (SBNL)



SATIN GOLD
(SG)



SATIN NICKEL
(SN)



SATIN SILVER
(SS)



SATIN TARNISHED
(STN)



TARNISHED
(TN)



WEATHERED ANTIQUE
NICKEL (WA)



WEATHERED BRASS
(WB)



WEATHERED BRONZE
(WZ)



WEATHERED COPPER
(WC)



WEATHERED NICKEL
(WN)

LEVEL 1

Antique Brass (AB)
Antique Burnished Brass (ABB)
Burnished Brass (BB)
Oil Rubbed Bronze (BZ)
Kensington (KN)
Polished Antique (PA)
Polished Antique — No Lacquer (PANL)
Polished Brass (PB)
Polished Brass — No Lacquer (PBNL)
Revere Brass (RB)
Revere Tarnished (RT)
Satin Brass (SB)
Satin Brass — No Lacquer (SBNL)
Tarnished (TN)
Weathered Brass (WB)
Weathered Bronze (WZ)

LEVEL 2

Antique Burnished Nickel (ABN)
Antique Nickel (AN)
Burnished Nickel (BN)
Matte Black (MB)
Polished Chrome (PC)
Polished Nickel (PN)
Revere Nickel (RN)
Satin Nickel (SN)
Weathered Antique Nickel (WA)
Weathered Copper (WC)
Weathered Nickel (WN)

LEVEL 3

Antique Polished Silver (APS)
Polished Silver (PS)
Satin Silver (SS)

PRICE ON REQUEST

Polished Gold (PG)
Satin Gold (SG)

Custom finishes available on request.