

CLASSIC BRASS

JAMESTOWN, NEW YORK

SURFACE BOLTS

ACCESSORIES



SURFACE BOLTS

TRADITIONAL GUIDE - SQUARE

- 10370 Surface Bolt 8"
- 10372 Surface Bolt 12"
- 10374 Surface Bolt 16"
- 10376 Surface Bolt 18"
- 10388 Surface Bolt 24"
- 10380 Surface Bolt 30"
- 10382 Surface Bolt 36"

MATERIALS

Solid Brass

HOW TO ORDER

1. Specify part number for required length, guide and function.
2. Specify finish.
3. Standard knob is 1067...specify any cabinet knob style.

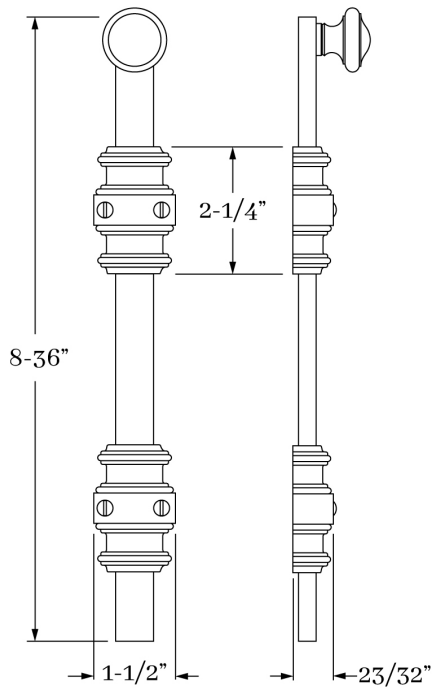
REMEMBER

1. If you require a custom size, we can make any length up to 72" or longer.
2. We provide a UNIVERSAL and MORTISE strike with each set, advise if you require an angle strike.
3. Extended lip strikes or custom strikes available, provide details of your requirement.
4. If necessary we can modify the overall length of the guide as required.
5. Custom offset dimensions are available, contact us to discuss your requirements.



SET COMPONENTS

Surface Bolt includes surface bolt rod with rod guides, knob attached, universal strike, mortise strike and mounting hardware.



CLASSIC BRASS

JAMESTOWN, NEW YORK

SIGNATURE FINISHES

SOLID BRASS FINISHES



LEVEL 1

Antique Brass (AB)
Antique Burnished Brass (ABB)
Antique Revere Brass (ARB)
Burnished Brass (BB)
Oil Rubbed Bronze (BZ)
Kensington (KN)
Polished Antique (PA)
Polished Antique — No Lacquer (PANL)
Polished Brass (PB)
Polished Brass — No Lacquer (PBNL)
Revere Brass (RB)
Revere Tarnished (RT)
Satin Brass (SB)
Satin Brass — No Lacquer (SBNL)
Tarnished (TN)
Weathered Brass (WB)
Weathered Bronze (WZ)

LEVEL 2

Antique Burnished Nickel (ABN)
Antique Revere Nickel (ARN)
Antique Nickel (AN)
Burnished Nickel (BN)
Matte Black (MB)
Polished Chrome (PC)
Polished Nickel (PN)
Revere Nickel (RN)
Satin Nickel (SN)
Weathered Antique Nickel (WA)
Weathered Copper (WC)
Weathered Nickel (WN)

LEVEL 3

Antique Polished Silver (APS)
Antique Revere Silver (ARS)
Polished Silver (PS)
Revere Silver (RS)
Satin Silver (SS)

PRICE ON REQUEST

Polished Gold (PG)
Satin Gold (SG)

Custom finishes available on request.