

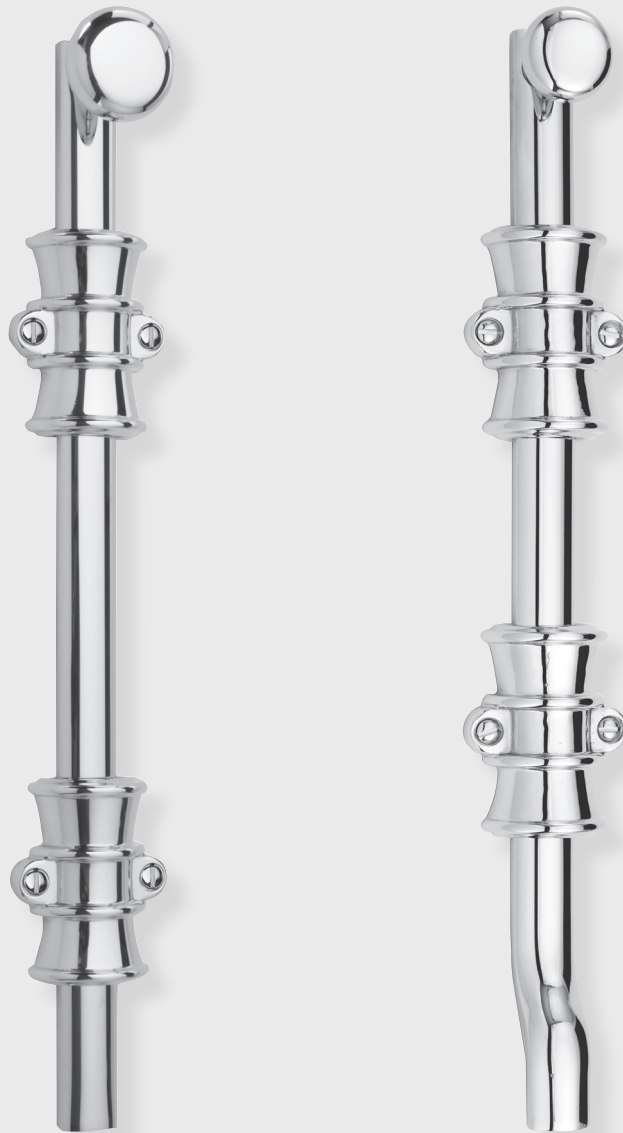
# CLASSIC BRASS

JAMESTOWN, NEW YORK

## SURFACE BOLTS

---

### ACCESSORIES



# SURFACE BOLTS

## TRADITIONAL GUIDE - STRAIGHT

- 10008 Surface Bolt 8"
- 10012 Surface Bolt 12"
- 10016 Surface Bolt 16"
- 10018 Surface Bolt 18"
- 10024 Surface Bolt 24"
- 10030 Surface Bolt 30"
- 10036 Surface Bolt 36"

## TRADITIONAL GUIDE - 5/8" OFFSET

- 10608 Surface Bolt 8"
- 10612 Surface Bolt 12"
- 10616 Surface Bolt 16"
- 10618 Surface Bolt 18"
- 10624 Surface Bolt 24"
- 10630 Surface Bolt 30"
- 10636 Surface Bolt 36"

## MATERIALS

Solid Brass

## HOW TO ORDER

1. Specify part number for required length, guide and function.
2. Specify finish.
3. Standard knob is 1067...specify any cabinet knob style.

## REMEMBER

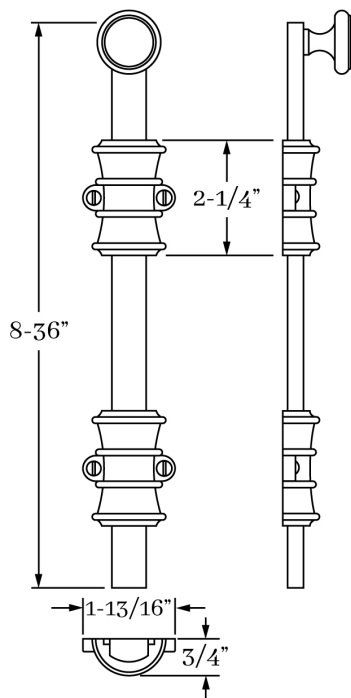
1. If you require a custom size, we can make any length up to 72" or longer.
2. We provide a UNIVERSAL and MORTISE strike with each set, advise if you require an angle strike.
3. Extended lip strikes or custom strikes available, provide details of your requirement.
4. If necessary we can modify the overall length of the guide as required.
5. Custom offset dimensions are available, contact us to discuss your requirements.



ACCESSORIES | DOOR

## SET COMPONENTS

Surface Bolt includes surface bolt rod with rod guides, knob attached, universal strike, mortise strike and mounting hardware.



CLASSIC BRASS

JAMESTOWN, NEW YORK

# CLASSIC BRASS

JAMESTOWN, NEW YORK

## SIGNATURE FINISHES

### SOLID BRASS FINISHES



ANTIQUE BRASS  
(AB)



ANTIQUE BURNISHED  
BRASS (ABB)



ANTIQUE BURNISHED  
NICKEL (ABN)



ANTIQUE NICKEL  
(AN)



ANTIQUE POLISHED  
SILVER (APS)



BURNISHED BRASS  
(BB)



BURNISHED NICKEL  
(BN)



OIL RUBBED  
BRONZE (BZ)



KENSINGTON  
(KN)



MATTE BLACK  
(MB)



POLISHED ANTIQUE  
(PA)



POLISHED ANTIQUE  
NO LACQUER (PANL)



POLISHED BRASS  
(PB)



POLISHED BRASS  
NO LACQUER (PBNL)



POLISHED CHROME  
(PC)



POLISHED GOLD  
(PG)



POLISHED NICKEL  
(PN)



POLISHED SILVER  
(PS)



REVERE BRASS  
(RB)



REVERE NICKEL  
(RN)



REVERE TARNISHED  
(RT)



SATIN BRASS  
(SB)



SATIN BRASS  
NO LACQUER (SBNL)



SATIN GOLD  
(SG)



SATIN NICKEL  
(SN)



SATIN SILVER  
(SS)



SATIN TARNISHED  
(STN)



TARNISHED  
(TN)



WEATHERED ANTIQUE  
NICKEL (WA)



WEATHERED BRASS  
(WB)



WEATHERED BRONZE  
(WZ)



WEATHERED COPPER  
(WC)



WEATHERED NICKEL  
(WN)

### LEVEL 1

Antique Brass (AB)  
Antique Burnished Brass (ABB)  
Burnished Brass (BB)  
Oil Rubbed Bronze (BZ)  
Kensington (KN)  
Polished Antique (PA)  
Polished Antique — No Lacquer (PANL)  
Polished Brass (PB)  
Polished Brass — No Lacquer (PBNL)  
Revere Brass (RB)  
Revere Tarnished (RT)  
Satin Brass (SB)  
Satin Brass — No Lacquer (SBNL)  
Tarnished (TN)  
Weathered Brass (WB)  
Weathered Bronze (WZ)

### LEVEL 2

Antique Burnished Nickel (ABN)  
Antique Nickel (AN)  
Burnished Nickel (BN)  
Matte Black (MB)  
Polished Chrome (PC)  
Polished Nickel (PN)  
Revere Nickel (RN)  
Satin Nickel (SN)  
Weathered Antique Nickel (WA)  
Weathered Copper (WC)  
Weathered Nickel (WN)

### LEVEL 3

Antique Polished Silver (APS)  
Polished Silver (PS)  
Satin Silver (SS)

### PRICE ON REQUEST

Polished Gold (PG)  
Satin Gold (SG)

Custom finishes available on request.