

CLASSIC BRASS

JAMESTOWN, NEW YORK

AUXILIARY DEADBOLTS

CHAUTAUQUA COLLECTION



AUXILIARY DEADBOLTS

APPLICATIONS

14870 Auxiliary Deadbolt Set (KEY x TP) 2"

14871 Auxiliary Deadbolt Set (KEY x KEY) 2"

14872 Auxiliary Deadbolt Set (KEY x TP) 2-9/16"

14873 Auxiliary Deadbolt Set (KEY x KEY) 2-9/16"

MATERIALS

Solid Brass

HOW TO ORDER

1. Specify application and collar size.
2. Specify finish. If split finish is required, please indicate exterior/interior.
3. Specify door thickness. Standard thickness is 1-3/4".
4. Specify backset. Standard is 2-3/8".

REMEMBER

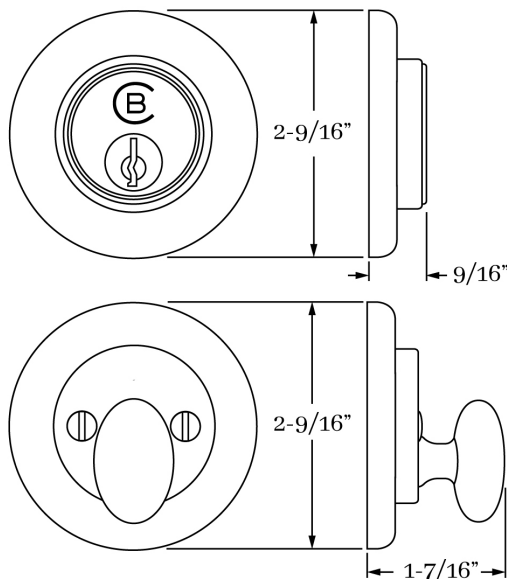
1. Should you require key alike, please specify.
2. Standard backset is 2-3/8". If required, specify 2-3/4".



SET COMPONENTS

Auxiliary Deadbolt Set (KEY x TP) includes exterior cylinder collar, auxiliary deadbolt cylinder w/ tailpiece, strike, faceplate, interior cylinder collar, interior turnpiece and plate, and mounting hardware.

Auxiliary Deadbolt Set (KEY x KEY) includes exterior cylinder collar, two auxiliary deadbolt cylinders w/ tailpiece, strike, faceplate, interior cylinder collar and mounting hardware.



CLASSIC BRASS

JAMESTOWN, NEW YORK

SIGNATURE FINISHES

SOLID BRASS FINISHES



LEVEL 1

- Antique Brass (AB)
- Antique Burnished Brass (ABB)
- Burnished Brass (BB)
- Oil Rubbed Bronze (BZ)
- Kensington (KN)
- Polished Antique (PA)
- Polished Antique — No Lacquer (PANL)
- Polished Brass (PB)
- Polished Brass — No Lacquer (PBNL)
- Revere Brass (RB)
- Revere Tarnished (RT)
- Satin Brass (SB)
- Satin Brass — No Lacquer (SBNL)
- Tarnished (TN)
- Weathered Brass (WB)
- Weathered Bronze (WZ)

LEVEL 2

- Antique Burnished Nickel (ABN)
- Antique Nickel (AN)
- Burnished Nickel (BN)
- Matte Black (MB)
- Polished Chrome (PC)
- Polished Nickel (PN)
- Revere Nickel (RN)
- Satin Nickel (SN)
- Weathered Antique Nickel (WA)
- Weathered Copper (WC)
- Weathered Nickel (WN)

LEVEL 3

- Antique Polished Silver (APS)
- Polished Silver (PS)
- Satin Silver (SS)

PRICE ON REQUEST

- Polished Gold (PG)
- Satin Gold (SG)

Custom finishes available on request.