

CLASSIC BRASS

JAMESTOWN, NEW YORK

HINGE - STANDARD 4" x 4"

ARCHITECTURAL GRADE HINGES



ARCHITECTURAL GRADE

STANDARD 4" x 4"

- 9611 Hinge - Steeple Finial
 - 9612 Hinge - Button Finial
 - 9613 Hinge - Scepter Finial
 - 9614 Hinge - Ball Finial
 - 9615 Hinge - Cathedral Finial
 - 9616 Hinge - Tradition Finial
 - 9618 Hinge - Urn Finial
 - 9619 Hinge - Après Finial
 - 16910 Hinge - Coin Finial
 - 16911 Hinge - Cross Hatch Finial
 - 16912 Hinge - Rope Finial
 - 16913 Hinge - Hutter Finial
 - 16914 Hinge - Shore Finial
 - 16915 Hinge - Empire Finial
- Image shown is 9612 Hinge with Button Finial

PRODUCT DIMENSIONS

4" x 4"

MATERIALS

Solid Brass

HOW TO ORDER

1. Specify application - standard or ball bearing.
2. Specify hinge size.
3. Specify finial.
4. Specify finish.

REMEMBER

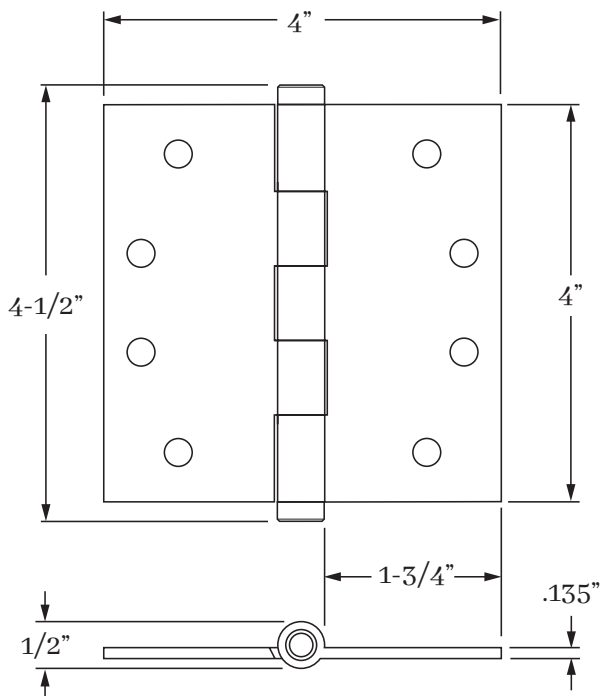
1. NRP Hinges are available. Upcharge will apply.
2. Contact us for your larger or custom size hinges.
3. Architectural hinges can be modified for radius corners.



HINGES | DOOR

SET COMPONENTS

Architectural Grade Hinge includes hinge, two finials and #12 PHWS.



CLASSIC BRASS

JAMESTOWN, NEW YORK

ARCHITECTURAL GRADE
HINGE FINIALS



BUTTON
Standard



APRÈS



BALL



TRADITION



SCEPTER



COIN



CROSS HATCH



ROPE



CATHEDRAL



STEEPLE



URN



HUTTER



SHORE



EMPIRE

CLASSIC BRASS

JAMESTOWN, NEW YORK

SIGNATURE FINISHES

SOLID BRASS FINISHES



ANTIQUE BRASS
(AB)



ANTIQUE BURNISHED
BRASS (ABB)



ANTIQUE BURNISHED
NICKEL (ABN)



ANTIQUE NICKEL
(AN)



ANTIQUE POLISHED
SILVER (APS)



BURNISHED BRASS
(BB)



BURNISHED NICKEL
(BN)



OIL RUBBED
BRONZE (BZ)



KENSINGTON
(KN)



MATTE BLACK
(MB)



POLISHED ANTIQUE
(PA)



POLISHED ANTIQUE
NO LACQUER (PANL)



POLISHED BRASS
(PB)



POLISHED BRASS
NO LACQUER (PBNL)



POLISHED CHROME
(PC)



POLISHED GOLD
(PG)



POLISHED NICKEL
(PN)



POLISHED SILVER
(PS)



REVERE BRASS
(RB)



REVERE NICKEL
(RN)



REVERE TARNISHED
(RT)



SATIN BRASS
(SB)



SATIN BRASS
NO LACQUER (SBNL)



SATIN GOLD
(SG)



SATIN NICKEL
(SN)



SATIN SILVER
(SS)



SATIN TARNISHED
(STN)



TARNISHED
(TN)



WEATHERED ANTIQUE
NICKEL (WA)



WEATHERED BRASS
(WB)



WEATHERED BRONZE
(WZ)



WEATHERED COPPER
(WC)



WEATHERED NICKEL
(WN)

LEVEL 1

Antique Brass (AB)
Antique Burnished Brass (ABB)
Antique Revere Brass (ARB)
Burnished Brass (BB)
Oil Rubbed Bronze (BZ)
Kensington (KN)
Polished Antique (PA)
Polished Antique — No Lacquer (PANL)
Polished Brass (PB)
Polished Brass — No Lacquer (PBNL)
Revere Brass (RB)
Revere Tarnished (RT)
Satin Brass (SB)
Satin Brass — No Lacquer (SBNL)
Tarnished (TN)
Weathered Brass (WB)
Weathered Bronze (WZ)

LEVEL 2

Antique Burnished Nickel (ABN)
Antique Revere Nickel (ARN)
Antique Nickel (AN)
Burnished Nickel (BN)
Matte Black (MB)
Polished Chrome (PC)
Polished Nickel (PN)
Revere Nickel (RN)
Satin Nickel (SN)
Weathered Antique Nickel (WA)
Weathered Copper (WC)
Weathered Nickel (WN)

LEVEL 3

Antique Polished Silver (APS)
Antique Revere Silver (ARS)
Polished Silver (PS)
Revere Silver (RS)
Satin Silver (SS)

PRICE ON REQUEST

Polished Gold (PG)
Satin Gold (SG)

Custom finishes available on request.