

# CLASSIC BRASS

JAMESTOWN, NEW YORK

## PULL PLATES

---

MONTANA COLLECTION



# PULL PLATES

## APPLICATIONS

8885 Pull Plate 2-1/2" x 12" (P) 8889

8886 Pull Plate 3" x 18" (P) 8889

## MATERIALS

Solid Bronze

## HOW TO ORDER

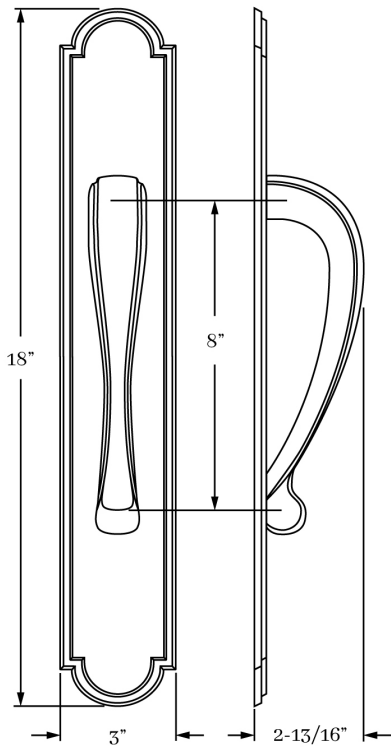
1. Specify application.
2. Specify finish.
3. Specify door thickness. Standard is 1-3/4".

## REMEMBER

1. Back-to-back applications available for pulls and pull plates. Specify #9958 for BTB and #9959 for Single Sided mounting.
2. Custom drilling available.



MONTANA | DOOR



## SET COMPONENTS

**Pull Plate Only** includes one pull mounted to plate and mounting hardware.

# CLASSIC BRASS

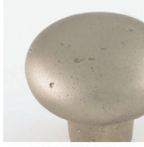
JAMESTOWN, NEW YORK

## SIGNATURE FINISHES

### SOLID BRONZE FINISHES



AGED IRON  
(AI)



AGED SILVER  
(AS)



AGED BRONZE  
(AZ)



MATTE BLACK  
(MB)



NATURAL BRONZE  
(NB)



STERLING  
(ST)

### FINISHES

- Aged Iron (AI)
- Aged Silver (AS)
- Aged Bronze (AZ)
- Matte Black (MB)
- Natural Bronze (NB)
- Sterling (ST)

Custom finishes available on request.