

CLASSIC BRASS

JAMESTOWN, NEW YORK

ENTRANCE LEVER SETS

MONTANA COLLECTION



ENTRANCE LEVER SETS

APPLICATIONS

8820 Lever Mortise Entrance Set

8821 Lever Mortise Entrance Set - FULL DUMMY

8822 Lever Latch x Auxiliary Deadbolt Set

8823 Lever Latch x Auxiliary Deadbolt Set - FULL DUMMY

Above sets include 8957 Lever

DIMENSIONS

Interior Escutcheon 2-1/2" x 12"

Exterior Escutcheon 2-1/2" x 12"

MATERIALS

Solid Bronze

SPINDLES

8mm SQ (standard)

HOW TO ORDER

1. Specify application.
2. Specify finish. If split finish is required, please indicate exterior/interior.
3. Specify door thickness. Standard thickness is 1-3/4".
4. Specify hand of door - RH/LH.
5. Specify backset.
 - standard for mortise lock is 2-1/2".
 - standard for auxiliary deadbolt is 2-3/8".

REMEMBER

1. All levers are interchangeable.
2. Standard mortise lock is 2-1/2" EE. Specify 2-3/4" if required.
3. Standard latch x auxiliary deadbolt: 5-1/2" c-c spacing and 2-3/8" backset. If required, specify 2-3/4" backset.
4. A door thickness greater than 1-3/4" will require a #9901 thick door kit for mortise application.
5. Custom drilling available.
6. Oval slot head wood screws (4/ea) are standard on the escutcheons.

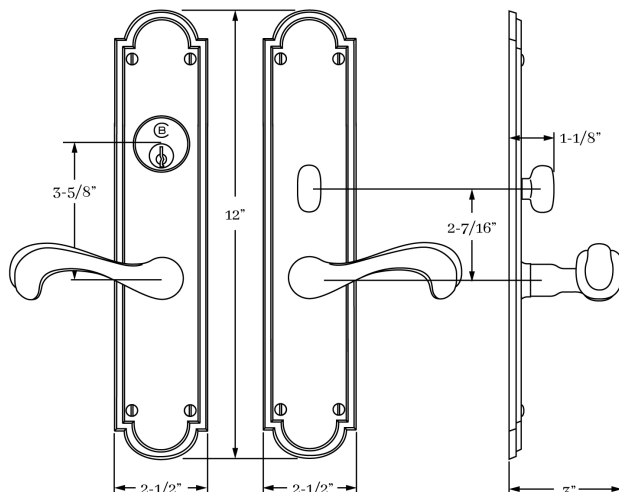


SET COMPONENTS

Entrance Lever Set - Mortise Lock includes exterior plate, interior plate with turnpiece, two levers, 4" swivel spindle (8mm), Accurate 9124 L x L mortise lock (2-1/2" backset), faceplate, strike 1-1/4" LTC, dust box, mortise cylinder and mounting hardware.

Entrance Lever Set - Latch x Auxiliary Deadbolt includes an exterior plate, interior plate with turnpiece, two levers, passage latch L x L (2-3/8" backset), 4" straight spindle (8mm), auxiliary deadbolt (2-3/8" backset), rim cylinder, latch faceplate, full lip strike, dust boxes and mounting hardware. NOTE: our standard spacing between lever hub and auxiliary deadbolt is 5-1/2" c-c.

Entrance Lever Set - FULL DUMMY includes exterior plate, interior plate, two levers, 4" straight spindle (8mm) and full dummy mounting hardware.



CLASSIC BRASS

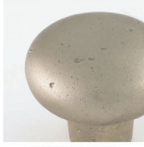
JAMESTOWN, NEW YORK

SIGNATURE FINISHES

SOLID BRONZE FINISHES



AGED IRON
(AI)



AGED SILVER
(AS)



AGED BRONZE
(AZ)



MATTE BLACK
(MB)



NATURAL BRONZE
(NB)



STERLING
(ST)

FINISHES

Aged Iron (AI)
Aged Silver (AS)
Aged Bronze (AZ)
Matte Black (MB)
Natural Bronze (NB)
Sterling (ST)

CUSTOM FINISHES AVAILABLE
UPON REQUEST.