

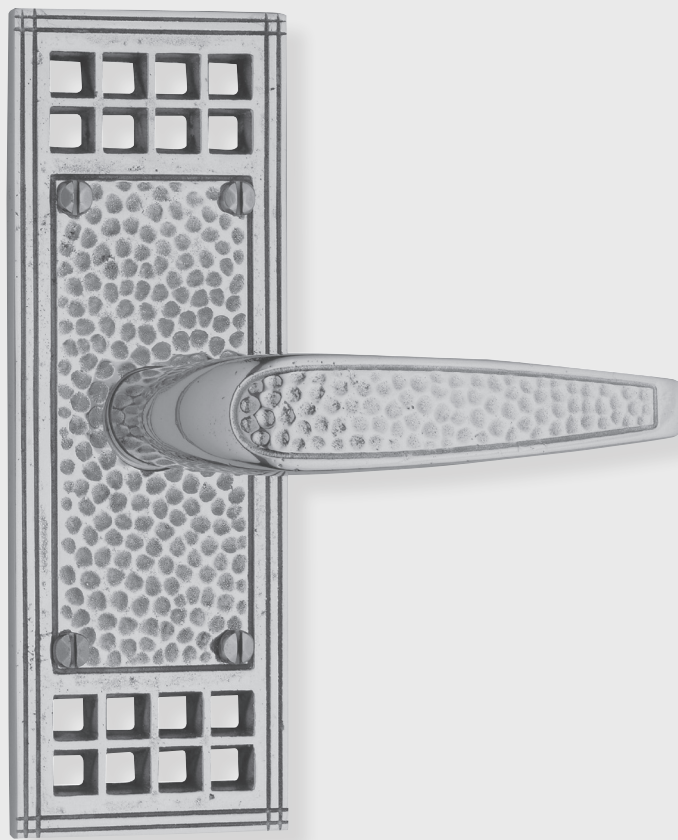
# CLASSIC BRASS

JAMESTOWN, NEW YORK

## INTERIOR LEVER SETS

---

ARTS & CRAFTS COLLECTION



# INTERIOR LEVER SETS

## APPLICATIONS

8732 Lever Set - PASSAGE

8734 Lever Set - PRIVACY

8736 Lever Set - FULL DUMMY

8738 Lever Set - HALF DUMMY

8757 Lever Only 3-7/8"

8761 Rose Only 2-3/8" x 7"

## PRODUCT DIMENSIONS

Lever 3-7/8"

Rose 2-3/8" x 7"

## MATERIALS

Solid Bronze

## SPINDLES

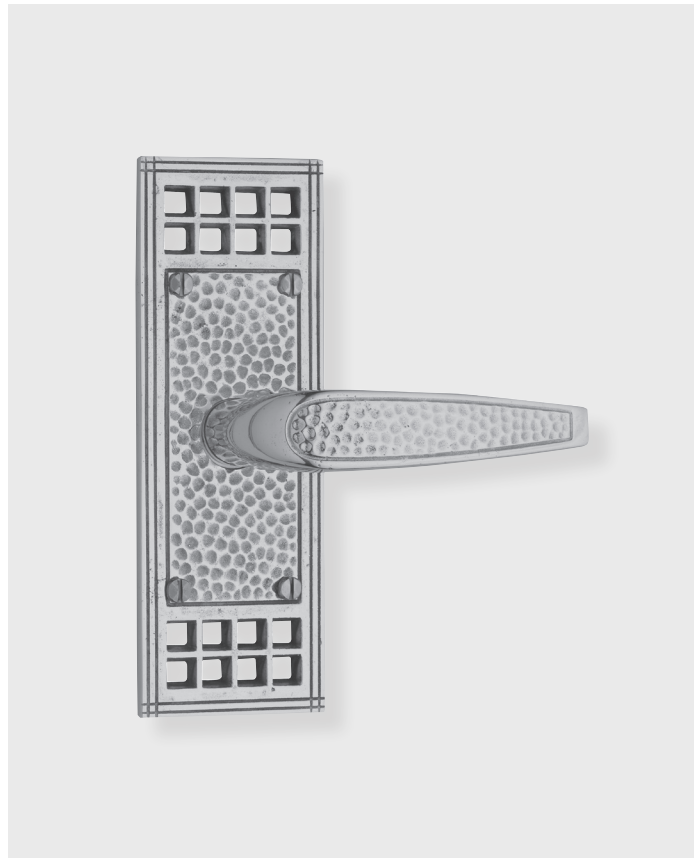
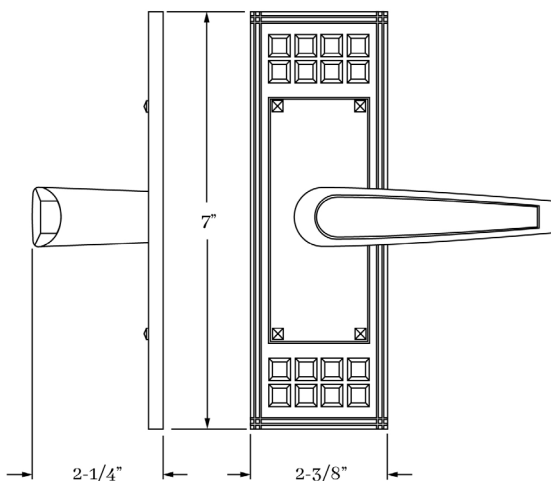
8mm SQ (standard)

## HOW TO ORDER

1. Specify application.
2. Specify if pre-drilled adapters are required (part #9749).
3. Specify finish. If split finish is required, please indicate exterior/interior.
4. Specify door thickness. Standard thickness is 1-3/8".
5. Specify backset.
  - standard is 2-3/8" for tubular.
  - standard is 2-1/2" for mortise.
6. Specify hand of door - RH/LH for mortise applications.

## REMEMBER

1. Specify pre-drilled adapter (#9749) for 2-1/8" pre-drilled doors, which requires the large rose.
2. Consider utilizing an interior mortise lock for quality installations.
3. All knobs and levers are interchangeable.
4. FULL LIP strikes are standard. Specify SUB "T" strike, if required.
5. Standard backset is 2-3/8" for tubular. If required, specify 2-3/4".



## SET COMPONENTS

**Lever Set - PASSAGE** includes two rosettes (passage), two levers, passage latch L x L (2-3/8" backset), full lip strike, latch faceplate, 4" straight spindle (8mm), two rosette mount plates, two rosette mount plate hubs, dust box and mounting hardware. NOTE: if required, order pre-drilled adapter (part #9749) separately.

**Lever Set - PRIVACY** includes two rosettes (privacy), two levers, privacy latch L x L (2-3/8" backset), full lip strike, latch faceplate, 4" swivel spindle (8mm), two rosette mount plates, two rosette mount plate hubs, privacy pin, dust box and mounting hardware. NOTE: if required, order pre-drilled adapter (part #9749) separately.

**Lever Set - FULL DUMMY** includes two rosettes, two levers, 4" straight spindle (8mm), two dummy rosette mount plates, two rosette mount plate hubs and mounting hardware.

**Lever Set - HALF DUMMY** includes rosette, lever, dummy mount spindle, rosette mount plate hub and mounting hardware.

# CLASSIC BRASS

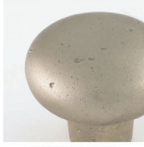
JAMESTOWN, NEW YORK

## SIGNATURE FINISHES

### SOLID BRONZE FINISHES



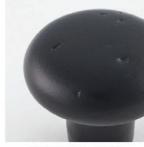
AGED IRON  
(AI)



AGED SILVER  
(AS)



AGED BRONZE  
(AZ)



MATTE BLACK  
(MB)



NATURAL BRONZE  
(NB)



STERLING  
(ST)

### FINISHES

Aged Iron (AI)  
Aged Silver (AS)  
Aged Bronze (AZ)  
Matte Black (MB)  
Natural Bronze (NB)  
Sterling (ST)

CUSTOM FINISHES AVAILABLE  
UPON REQUEST.