

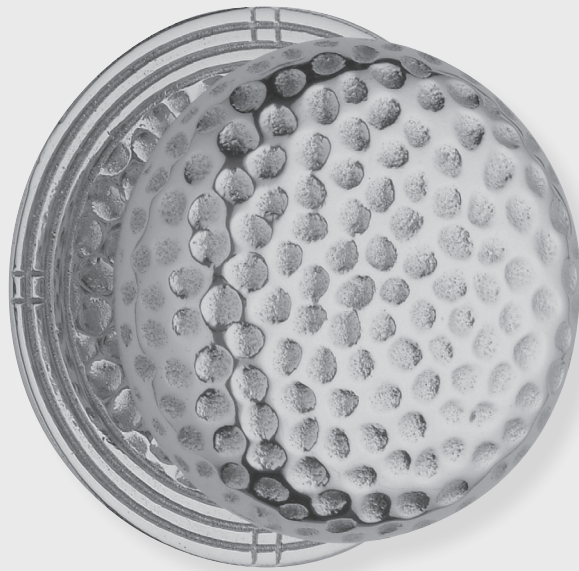
# CLASSIC BRASS

JAMESTOWN, NEW YORK

## INTERIOR KNOB SETS

---

ARTS & CRAFTS COLLECTION



# INTERIOR KNOB SETS

## APPLICATIONS

8704 Knob Set - PASSAGE  
8709 Knob Set - PRIVACY  
8716 Knob Set - FULL DUMMY  
8720 Knob Set - HALF DUMMY

8750 Knob Only 2-1/4"  
8762 Rose Only 2-5/8"

## PRODUCT DIMENSIONS

Knob 2-1/4"  
Rose 2-5/8"

## MATERIALS

Solid Bronze

## SPINDLES

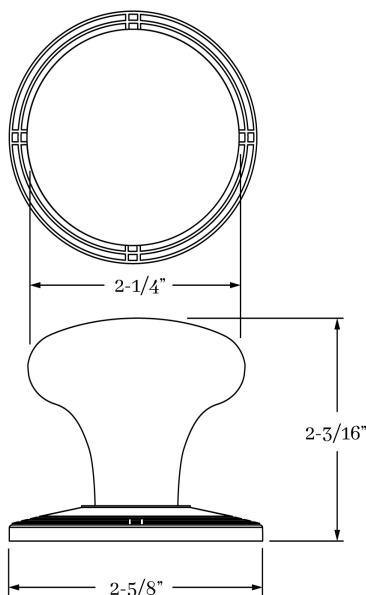
8mm SQ (standard)

## HOW TO ORDER

1. Specify application.
2. Specify if pre-drilled adapters are required (part #9749).
3. Specify finish. If split finish is required, please indicate exterior/interior.
4. Specify door thickness. Standard thickness is 1-3/8".
5. Specify backset.
  - standard is 2-3/8" for tubular.
  - standard is 2-1/2" for mortise.
6. Specify hand of door - RH/LH for mortise applications.

## REMEMBER

1. Specify pre-drilled adapter (#9749) for 2-1/8" pre-drilled doors, which requires the large rose.
2. Consider utilizing an interior mortise lock for quality installations.
3. All knobs and levers are interchangeable.
4. FULL LIP strikes are standard. Specify SUB "T" strike, if required.
5. Standard backset is 2-3/8" for tubular. If required, specify 2-3/4".
6. Lever strength latches will be supplied with all large knobs.



## SET COMPONENTS

**Knob Set - PASSAGE** includes two rosettes (passage), two knobs, passage latch K x K (2-3/8" backset), full lip strike, latch faceplate, 4" straight spindle (8mm), two rosette mount plates, two rosette mount plate hubs, dust box and mounting hardware. NOTE: if required, order pre-drilled adapter (part #9749) separately.

**Knob Set - PRIVACY** includes two rosettes (privacy), two knobs, privacy latch K x K (2-3/8" backset), full lip strike, latch faceplate, 4" swivel spindle (8mm), two rosette mount plates, two rosette mount plate hubs, privacy pin, dust box and mounting hardware. NOTE: if required, order pre-drilled adapter (part #9749) separately.

**Knob Set - FULL DUMMY** includes two rosettes, two knobs, 4" straight spindle (8mm), two dummy rosette mount plates, two rosette mount plate hubs and mounting hardware.

**Knob Set - HALF DUMMY** includes rosette, knob, dummy mount spindle, rosette mount plate hub and mounting hardware.

# CLASSIC BRASS

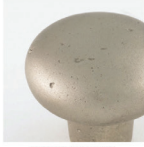
JAMESTOWN, NEW YORK

## SIGNATURE FINISHES

### SOLID BRONZE FINISHES



AGED IRON  
(AI)



AGED SILVER  
(AS)



AGED BRONZE  
(AZ)



MATTE BLACK  
(MB)



NATURAL BRONZE  
(NB)



STERLING  
(ST)

### FINISHES

Aged Iron (AI)  
Aged Silver (AS)  
Aged Bronze (AZ)  
Matte Black (MB)  
Natural Bronze (NB)  
Sterling (ST)

CUSTOM FINISHES AVAILABLE  
UPON REQUEST.