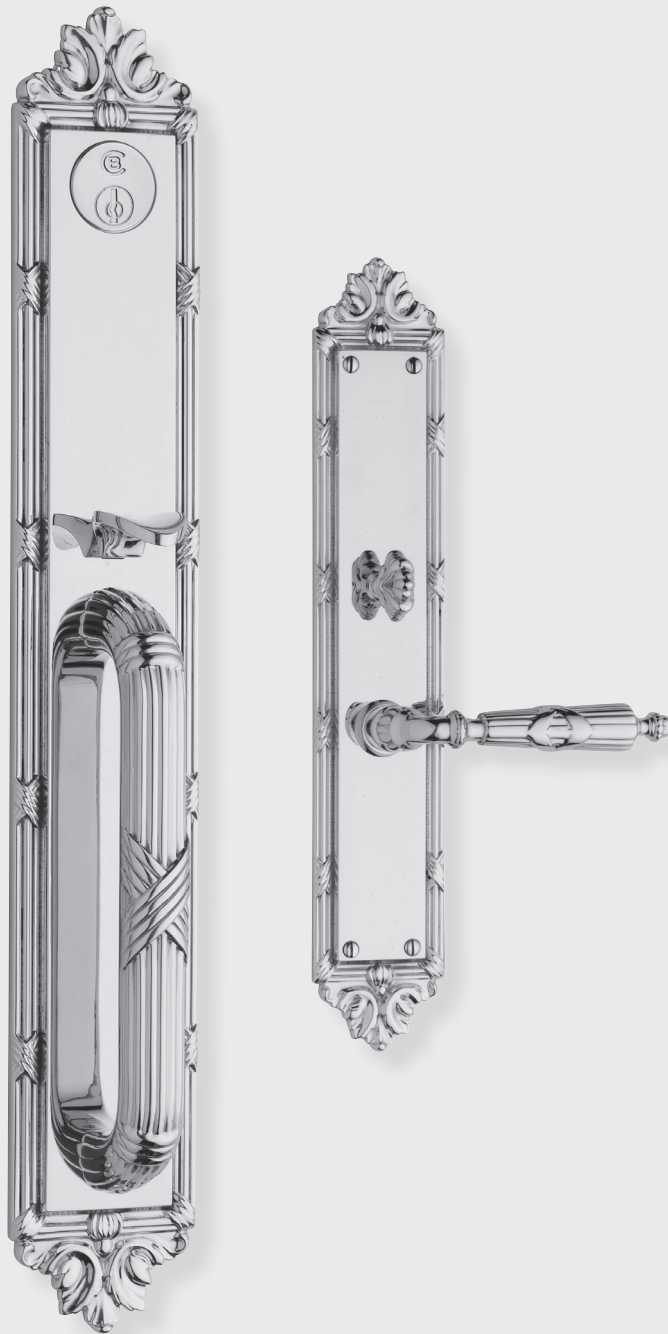


CLASSIC BRASS

JAMESTOWN, NEW YORK

ENTRANCE HANDLE SETS

ST. GEORGES COLLECTION



ENTRANCE HANDLE SETS

APPLICATIONS

- 8000 Entrance Handle Set - Lever
- 8002 Entrance Handle Set - T/P x T/P

- 8006 Entrance Handle Set - Lever - FULL DUMMY
 - 8007 Entrance Handle Set - T/P x T/P - FULL DUMMY
- Above sets include 8157 Lever

DIMENSIONS

- Interior Escutcheon 2-3/8" x 13-3/4"
- Exterior Escutcheon 3" x 20"

MATERIALS

Solid Brass

SPINDLES

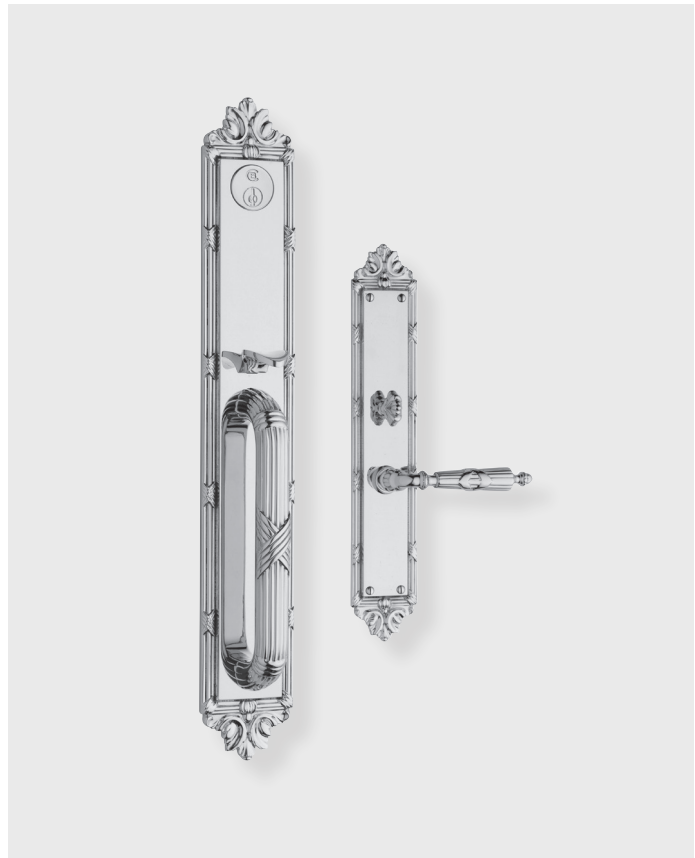
8mm SQ (standard)

HOW TO ORDER

1. Specify application.
2. Specify finish. If split finish is required, please indicate exterior/interior.
3. Specify door thickness. Standard thickness is 1-3/4".
4. Specify hand of door - RH/LH.
5. Specify backset.
 - standard for mortise lock is 2-1/2".

REMEMBER

1. All knobs and levers are interchangeable.
2. Standard mortise lock is 2-1/2" EE. Specify 2-3/4" if required.
3. Entrance handle sets are mortise lock only.
4. A door thickness greater than 1-3/4" will require a #9901 thick door kit.
5. Custom drilling available.
6. Concealed undermount attachment is standard on exterior escutcheon. Oval slot head wood screws (4/ea) are standard on interior escutcheon.



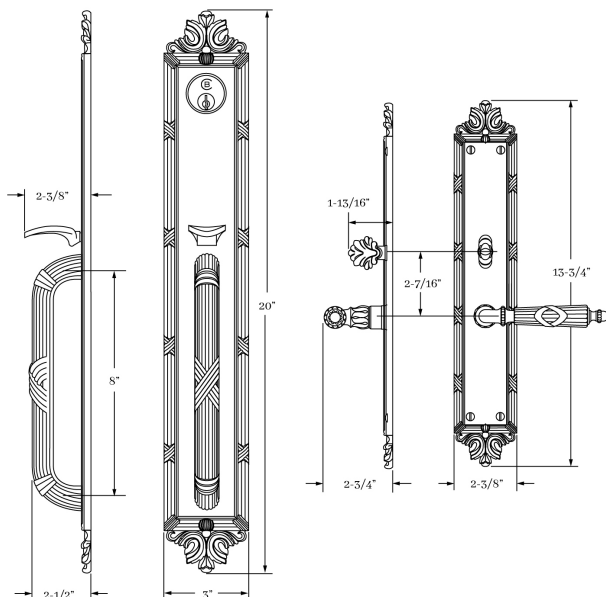
SET COMPONENTS

Entrance Handle Set - Lever includes exterior escutcheon with pull and thumbpiece attached, interior escutcheon with turnpiece attached, lever, Accurate 9169 TP x L, dust box, strike 1-1/4" LTC, mortise cylinder, bolt cover, 8mm half spindle and mounting hardware.

Entrance Handle Set - T/P x T/P includes exterior escutcheon with pull and thumbpiece attached, interior escutcheon with thumbpiece, pull and turnpiece attached, Accurate 9169 TP x TP, dust box, strike 1-1/4" LTC, mortise cylinder and mounting hardware.

Entrance Handle Set - Lever - FULL DUMMY includes exterior escutcheon with pull and fixed thumbpiece attached, interior escutcheon, lever, bolt cover, 8mm half spindle and full dummy mounting hardware.

Entrance Handle Set - T/P x T/P - FULL DUMMY includes exterior escutcheon with pull and fixed thumbpiece attached, interior escutcheon with fixed thumbpiece and full dummy mounting hardware.



CLASSIC BRASS

JAMESTOWN, NEW YORK

SIGNATURE FINISHES

SOLID BRASS FINISHES



ANTIQUE BRASS
(AB)



ANTIQUE BURNISHED
BRASS (ABB)



ANTIQUE BURNISHED
NICKEL (ABN)



ANTIQUE NICKEL
(AN)



ANTIQUE POLISHED
SILVER (APS)



BURNISHED BRASS
(BB)



BURNISHED NICKEL
(BN)



OIL RUBBED
BRONZE (BZ)



KENSINGTON
(KN)



MATTE BLACK
(MB)



POLISHED ANTIQUE
(PA)



POLISHED ANTIQUE
NO LACQUER (PANL)



POLISHED BRASS
(PB)



POLISHED BRASS
NO LACQUER (PBNL)



POLISHED CHROME
(PC)



POLISHED GOLD
(PG)



POLISHED NICKEL
(PN)



POLISHED SILVER
(PS)



REVERE BRASS
(RB)



REVERE NICKEL
(RN)



REVERE TARNISHED
(RT)



SATIN BRASS
(SB)



SATIN BRASS
NO LACQUER (SBNL)



SATIN GOLD
(SG)



SATIN NICKEL
(SN)



SATIN SILVER
(SS)



SATIN TARNISHED
(STN)



TARNISHED
(TN)



WEATHERED ANTIQUE
NICKEL (WA)



WEATHERED BRASS
(WB)



WEATHERED BRONZE
(WZ)



WEATHERED COPPER
(WC)



WEATHERED NICKEL
(WN)

LEVEL 1

Antique Brass (AB)
Antique Burnished Brass (ABB)
Burnished Brass (BB)
Oil Rubbed Bronze (BZ)
Kensington (KN)
Polished Antique (PA)
Polished Antique — No Lacquer (PANL)
Polished Brass (PB)
Polished Brass — No Lacquer (PBNL)
Revere Brass (RB)
Revere Tarnished (RT)
Satin Brass (SB)
Satin Brass — No Lacquer (SBNL)
Tarnished (TN)
Weathered Brass (WB)
Weathered Bronze (WZ)

LEVEL 2

Antique Burnished Nickel (ABN)
Antique Nickel (AN)
Burnished Nickel (BN)
Matte Black (MB)
Polished Chrome (PC)
Polished Nickel (PN)
Revere Nickel (RN)
Satin Nickel (SN)
Weathered Antique Nickel (WA)
Weathered Copper (WC)
Weathered Nickel (WN)

LEVEL 3

Antique Polished Silver (APS)
Polished Silver (PS)
Satin Silver (SS)

PRICE ON REQUEST

Polished Gold (PG)
Satin Gold (SG)

Custom finishes available on request.