

# CLASSIC BRASS

JAMESTOWN, NEW YORK

## M/P SETS - AMERICAN

---

HUTTER COLLECTION



# M/P SETS - AMERICAN

## 2" X 11" MULTI POINT SETS

7864 Lever Amer M/P Set - ENTRANCE

7865 Lever Amer M/P Set - FULL DUMMY

7866 Lever Amer M/P Set - ACTIVE DUMMY

7867 Lever Amer M/P Set - PATIO

Above sets include 7973 Lever

## 2-1/2" X 12" MULTI POINT SETS

7870 Lever Amer M/P Set - ENTRANCE

7871 Lever Amer M/P Set - FULL DUMMY

7872 Lever Amer M/P Set - ACTIVE DUMMY

7873 Lever Amer M/P Set - PATIO

Above sets include 7973 Lever

## MATERIALS

Solid Brass

## SPINDLES

8mm SQ (standard)

## HOW TO ORDER

1. Specify application.
2. See our M/P Check Sheet (Form 500) for additional information.
3. Specify finish. If split finish is required, please indicate exterior/interior.
4. Specify door thickness. Standard thickness is 1-3/4".
5. Specify hand of door - RH/LH.
6. Specify fixed or active exterior lever when ordering active dummy set.

## REMEMBER

1. Complete our M/P Check Sheet (Form 500).
2. Standard M/P American cylinder applications: LEVER LOW - 92mm spacing.
3. Specify LEVER HIGH or custom c-c spacing if required.
4. All levers are interchangeable.
5. American cylinder included with Entrance function only.
6. Strike not included.
7. Custom escutcheon sizes drilling available.
8. HUTTER ARCH edge profile is standard. SQUARE CORNER and OFFSET edge options available.



HUTTER | DOOR

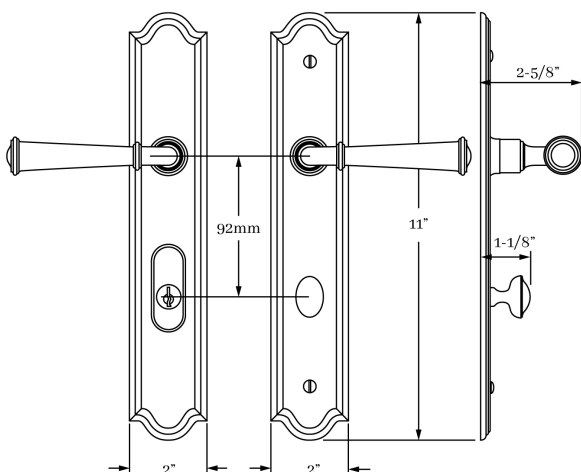
## SET COMPONENTS

**Lever Amer M/P Set - ENTRANCE** includes two escutcheons, two levers, 4" straight spindle (8mm), American profile cylinder and mounting hardware. NOTE: our standard spacing between lever hub and the profile cylinder is 92mm.

**Lever Amer M/P Set - FULL DUMMY** includes two escutcheons, two levers, 4" straight spindle (8mm), two dummy mount plates and mounting hardware.

**Lever Amer M/P Set - ACTIVE DUMMY** includes two escutcheons, two levers, 4" swivel spindle (8mm), dummy mount plates for exterior and mounting hardware.

**Lever Amer M/P Set - PATIO** includes exterior escutcheon, interior escutcheon (for American profile application turnpiece w/ tailpiece attached to escutcheon), two levers, 4" straight spindle (8mm) and mounting hardware. NOTE: our standard spacing between lever hub and the turnpiece is 92mm.

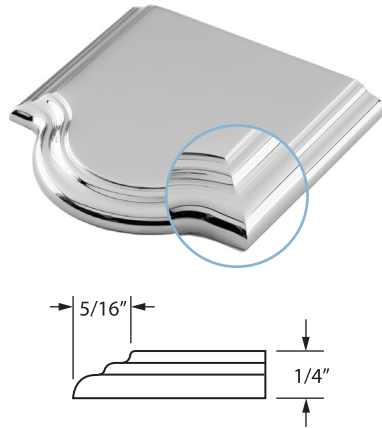


CLASSIC BRASS

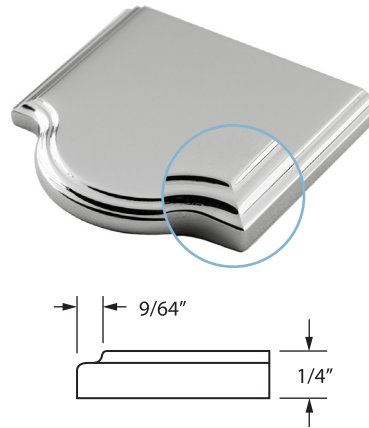
JAMESTOWN, NEW YORK

ARCH ESCUTCHEON  
EDGE OPTIONS

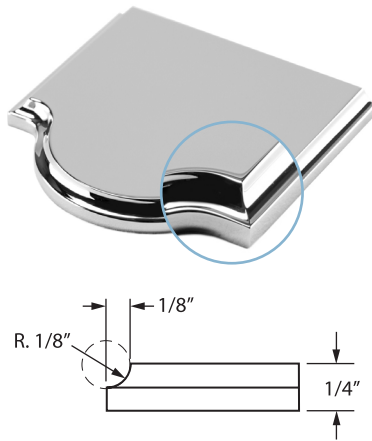
**HUTTER ARCH EDGE**  
Standard



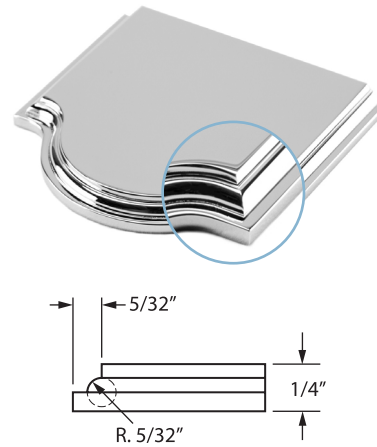
**OFFSET ARCH EDGE**



**LAKEWOOD ARCH EDGE**



**JAMESTOWN ARCH EDGE**



**HOW TO ORDER**

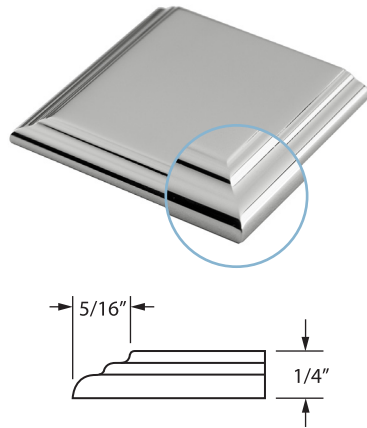
- Specify EDGE DETAIL — Hutter ARCH edge option is standard. If alternate EDGE DETAIL is required — make sure to specify as SUB (example – SUB OFFSET ARCH).

**REMEMBER**

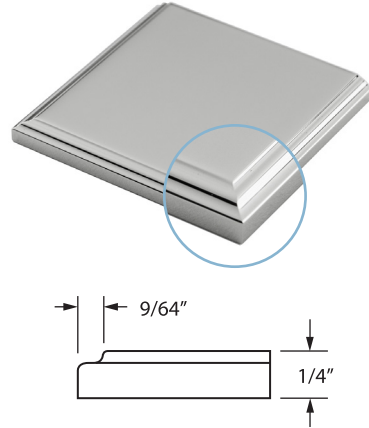
- Custom escutcheon sizes are available.
- Standard escutcheon thickness is 1/4" — alternate thickness available upon request.
- Contact us to discuss custom edge details or profiles.

SQUARE ESCUTCHEON  
EDGE OPTIONS

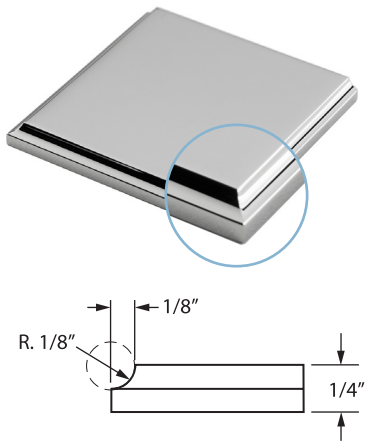
HUTTER SQUARE EDGE



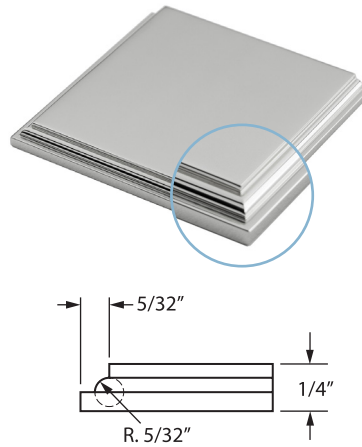
OFFSET SQUARE EDGE



LAKEWOOD SQUARE EDGE



JAMESTOWN SQUARE EDGE



HOW TO ORDER

- Hutter ARCH profile is standard. If SQUARE profile required, please specify as SUB (example – SUB SQUARE).
- Specify EDGE DETAIL – Hutter ARCH edge option is standard. If alternate EDGE DETAIL is required – make sure to specify as SUB (example – SUB OFFSET ARCH).

REMEMBER

- Custom escutcheon sizes are available.
- Standard escutcheon thickness is 1/4" – alternate thickness available upon request.
- Contact us to discuss custom edge details or profiles.

# CLASSIC BRASS

JAMESTOWN, NEW YORK

## SIGNATURE FINISHES

### SOLID BRASS FINISHES



ANTIQUE BRASS  
(AB)



ANTIQUE BURNISHED  
BRASS (ABB)



ANTIQUE BURNISHED  
NICKEL (ABN)



ANTIQUE NICKEL  
(AN)



ANTIQUE POLISHED  
SILVER (APS)



BURNISHED BRASS  
(BB)



BURNISHED NICKEL  
(BN)



OIL RUBBED  
BRONZE (BZ)



KENSINGTON  
(KN)



MATTE BLACK  
(MB)



POLISHED ANTIQUE  
(PA)



POLISHED ANTIQUE  
NO LACQUER (PANL)



POLISHED BRASS  
(PB)



POLISHED BRASS  
NO LACQUER (PBNL)



POLISHED CHROME  
(PC)



POLISHED GOLD  
(PG)



POLISHED NICKEL  
(PN)



POLISHED SILVER  
(PS)



REVERE BRASS  
(RB)



REVERE NICKEL  
(RN)



REVERE TARNISHED  
(RT)



SATIN BRASS  
(SB)



SATIN BRASS  
NO LACQUER (SBNL)



SATIN GOLD  
(SG)



SATIN NICKEL  
(SN)



SATIN SILVER  
(SS)



SATIN TARNISHED  
(STN)



TARNISHED  
(TN)



WEATHERED ANTIQUE  
NICKEL (WA)



WEATHERED BRASS  
(WB)



WEATHERED BRONZE  
(WZ)



WEATHERED COPPER  
(WC)



WEATHERED NICKEL  
(WN)

### LEVEL 1

Antique Brass (AB)  
Antique Burnished Brass (ABB)  
Burnished Brass (BB)  
Oil Rubbed Bronze (BZ)  
Kensington (KN)  
Polished Antique (PA)  
Polished Antique — No Lacquer (PANL)  
Polished Brass (PB)  
Polished Brass — No Lacquer (PBNL)  
Revere Brass (RB)  
Revere Tarnished (RT)  
Satin Brass (SB)  
Satin Brass — No Lacquer (SBNL)  
Tarnished (TN)  
Weathered Brass (WB)  
Weathered Bronze (WZ)

### LEVEL 2

Antique Burnished Nickel (ABN)  
Antique Nickel (AN)  
Burnished Nickel (BN)  
Matte Black (MB)  
Polished Chrome (PC)  
Polished Nickel (PN)  
Revere Nickel (RN)  
Satin Nickel (SN)  
Weathered Antique Nickel (WA)  
Weathered Copper (WC)  
Weathered Nickel (WN)

### LEVEL 3

Antique Polished Silver (APS)  
Polished Silver (PS)  
Satin Silver (SS)

### PRICE ON REQUEST

Polished Gold (PG)  
Satin Gold (SG)

Custom finishes available on request.