

CLASSIC BRASS

JAMESTOWN, NEW YORK

LEVER AND ESCUTCHEON

HUTTER COLLECTION



LEVER AND ESCUTCHEON

2" X 11" ESCUTCHEON SETS

7827 Lever Escutcheon Set - PASSAGE

7829 Lever Escutcheon Set - LATCH x M/B

7830 Lever Escutcheon Set - FULL DUMMY

7831 Lever Escutcheon Set - HALF DUMMY

Above sets include 7972 Lever

2-1/2" X 12" ESCUTCHEON SETS

7842 Lever Escutcheon Set - PASSAGE

7843 Lever Escutcheon Set - PRIVACY

7844 Lever Escutcheon Set - LATCH x M/B

7845 Lever Escutcheon Set - FULL DUMMY

7846 Lever Escutcheon Set - HALF DUMMY

Above sets include 7973 Lever

MATERIALS

Solid Brass

SPINDLES

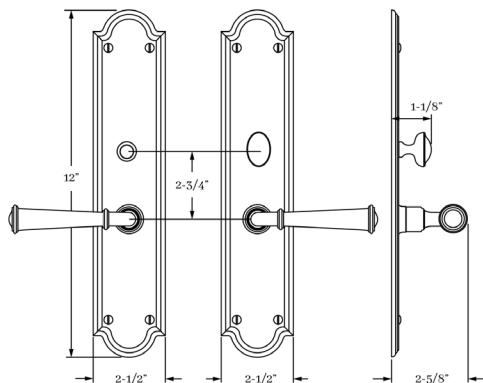
8mm SQ (standard)

HOW TO ORDER

1. Specify application.
2. Specify finish. If split finish is required, please indicate exterior/interior.
3. Specify door thickness. Standard thickness is 1-3/4".
4. Specify hand of door - RH/LH.
5. Specify backset.
 - standard is 2-3/8" for tubular.
 - standard is 2-1/2" for mortise.

REMEMBER

1. All levers are interchangeable.
2. FULL LIP strikes are standard. Specify SUB "T" strike, if required.
3. Standard backset is 2-3/8" for tubular. If required, specify 2-3/4".
4. A door thickness greater than 1-3/4" will require a #9900 thick door kit for mortise application.
5. Custom escutcheon sizes and drilling available.
6. HUTTER ARCH edge profile is standard. SQUARE CORNER and OFFSET edge options available.
7. Combination strike and faceplate available for latch x mortise bolt function.
8. Oval slot head wood screws (4/ea) are standard on the escutcheons.



HUTTER | DOOR

SET COMPONENTS

Lever Escutcheon Set - PASSAGE includes two escutcheons, two levers, 4" straight spindle (8mm), passage latch L x L (2-3/8" backset), faceplate, full lip strike, dust box and mounting hardware.

Lever Escutcheon Set - PRIVACY includes two escutcheons with privacy pin hole, two levers, 4" swivel spindle (8mm), privacy latch L x L (2-3/8" backset), privacy pin, faceplate, full lip strike, dust box and mounting hardware.

Lever Escutcheon Set - LATCH x MORTISE BOLT includes an exterior escutcheon w/ EE hole, an interior escutcheon w/ turnpiece attached, two levers, 4" straight spindle (8mm), passage latch L x L (2-3/8" backset) latch faceplate, full lip strike, mortise bolt (2-3/8" backset), mortise bolt faceplate, mortise bolt strike, dust boxes and mounting hardware. NOTE: our standard spacing between lever hub and mortise bolt is 2-3/4".

Lever Escutcheon Set - FULL DUMMY includes two escutcheons, two levers, 4" straight spindle (8mm), two dummy mounting plates and mounting hardware.

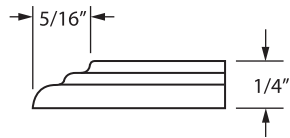
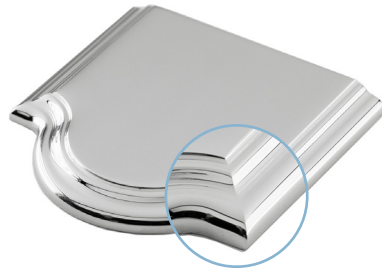
Lever Escutcheon Set - HALF DUMMY includes an escutcheon, lever, dummy mount spindle and mounting hardware.

CLASSIC BRASS

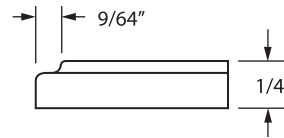
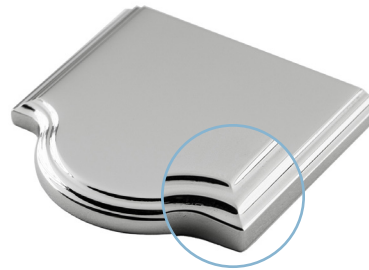
JAMESTOWN, NEW YORK

ARCH ESCUTCHEON
EDGE OPTIONS

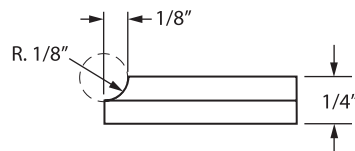
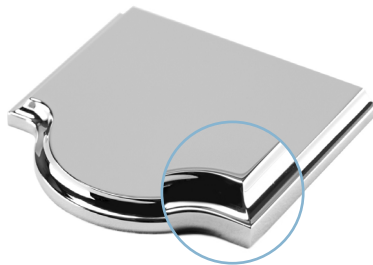
HUTTER ARCH EDGE
Standard



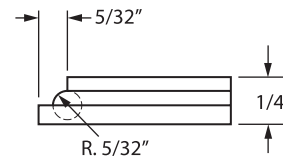
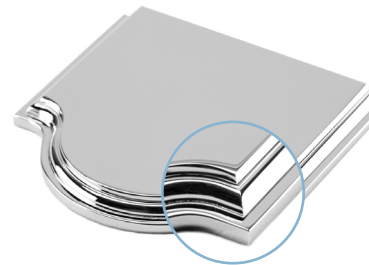
OFFSET ARCH EDGE



LAKEWOOD ARCH EDGE



JAMESTOWN ARCH EDGE



HOW TO ORDER

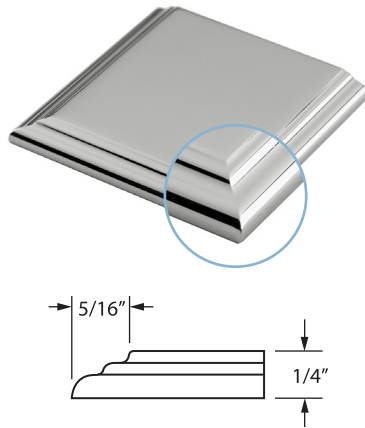
- Specify EDGE DETAIL — Hutter ARCH edge option is standard. If alternate EDGE DETAIL is required — make sure to specify as SUB (example — SUB OFFSET ARCH).

REMEMBER

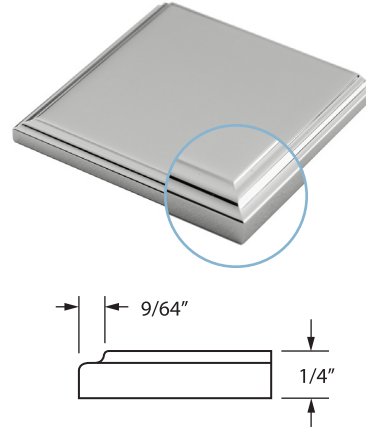
- Custom escutcheon sizes are available.
- Standard escutcheon thickness is 1/4" — alternate thickness available upon request.
- Contact us to discuss custom edge details or profiles.

SQUARE ESCUTCHEON
EDGE OPTIONS

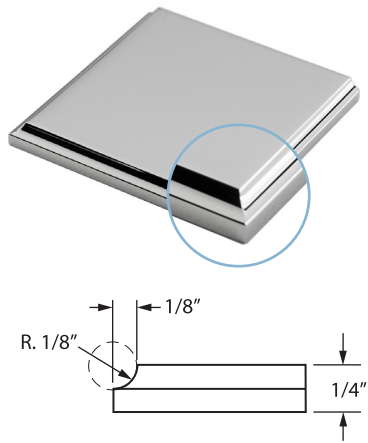
HUTTER SQUARE EDGE



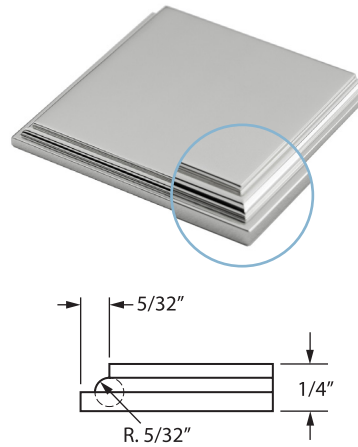
OFFSET SQUARE EDGE



LAKWOOD SQUARE EDGE



JAMESTOWN SQUARE EDGE



HOW TO ORDER

- Hutter ARCH profile is standard. If SQUARE profile required, please specify as SUB (example – SUB SQUARE).
- Specify EDGE DETAIL – Hutter ARCH edge option is standard. If alternate EDGE DETAIL is required – make sure to specify as SUB (example – SUB OFFSET ARCH).

REMEMBER

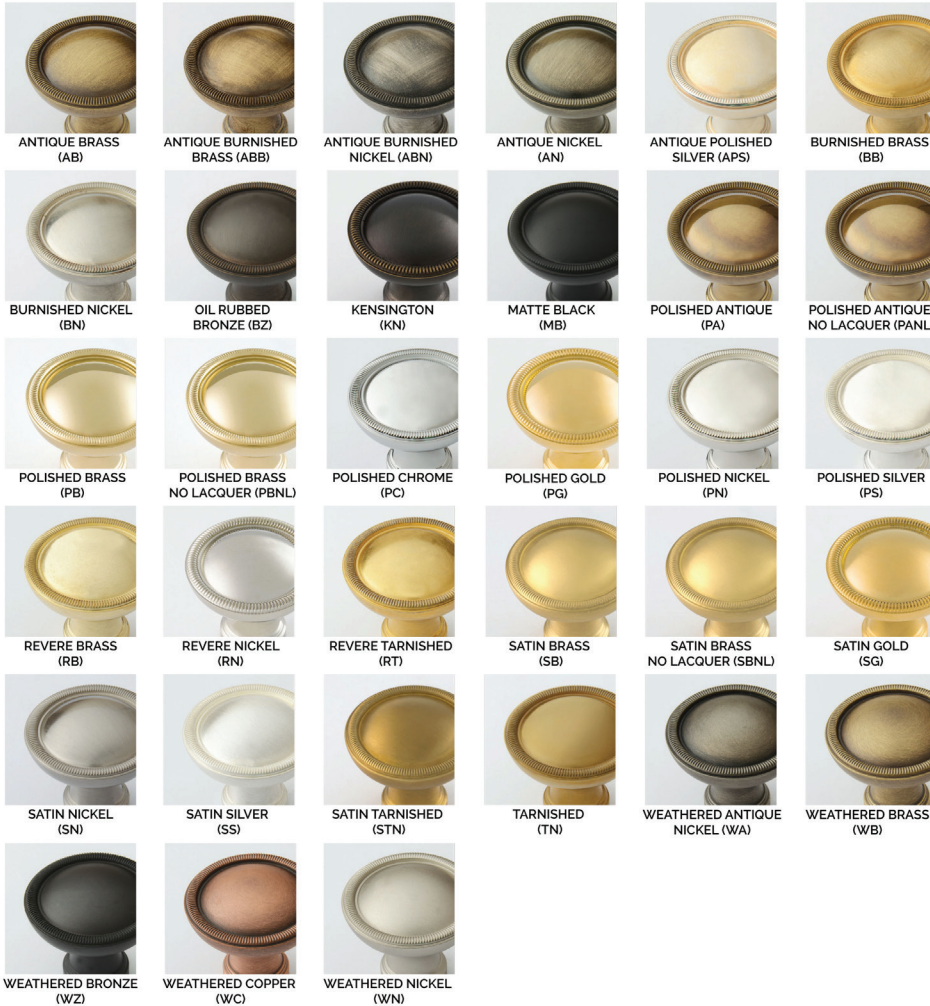
- Custom escutcheon sizes are available.
- Standard escutcheon thickness is 1/4" – alternate thickness available upon request.
- Contact us to discuss custom edge details or profiles.

CLASSIC BRASS

JAMESTOWN, NEW YORK

SIGNATURE FINISHES

SOLID BRASS FINISHES



LEVEL 1

- Antique Brass (AB)
- Antique Burnished Brass (ABB)
- Burnished Brass (BB)
- Oil Rubbed Bronze (BZ)
- Kensington (KN)
- Polished Antique (PA)
- Polished Antique — No Lacquer (PANL)
- Polished Brass (PB)
- Polished Brass — No Lacquer (PBNL)
- Revere Brass (RB)
- Revere Tarnished (RT)
- Satin Brass (SB)
- Satin Brass — No Lacquer (SBNL)
- Tarnished (TN)
- Weathered Brass (WB)
- Weathered Bronze (WZ)

LEVEL 2

- Antique Burnished Nickel (ABN)
- Antique Nickel (AN)
- Burnished Nickel (BN)
- Matte Black (MB)
- Polished Chrome (PC)
- Polished Nickel (PN)
- Revere Nickel (RN)
- Satin Nickel (SN)
- Weathered Antique Nickel (WA)
- Weathered Copper (WC)
- Weathered Nickel (WN)

LEVEL 3

- Antique Polished Silver (APS)
- Polished Silver (PS)
- Satin Silver (SS)

PRICE ON REQUEST

- Polished Gold (PG)
- Satin Gold (SG)

Custom finishes available on request.