

CLASSIC BRASS

JAMESTOWN, NEW YORK

KNOB AND ESCUTCHEON

HUTTER COLLECTION



KNOB AND ESCUTCHEON

2" X 11" ESCUTCHEON SETS

- 7820 Knob Escutcheon Set - PASSAGE
- 7822 Knob Escutcheon Set - LATCH x M/B
- 7823 Knob Escutcheon Set - FULL DUMMY
- 7824 Knob Escutcheon Set - HALF DUMMY

Above sets include 7969 Oval Knob

2-1/2" X 12" ESCUTCHEON SETS

- 7834 Knob Escutcheon Set - PASSAGE
- 7835 Knob Escutcheon Set - PRIVACY
- 7836 Knob Escutcheon Set - LATCH x M/B
- 7837 Knob Escutcheon Set - FULL DUMMY
- 7838 Knob Escutcheon Set - HALF DUMMY

Above sets include 7969 Oval Knob

MATERIALS

Solid Brass

SPINDLES

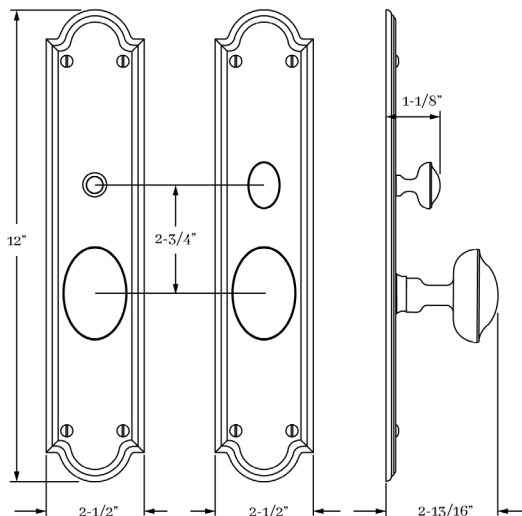
8mm SQ (standard)

HOW TO ORDER

1. Specify application.
2. Specify finish. If split finish is required, please indicate exterior/interior.
3. Specify door thickness. Standard thickness is 1-3/4".
4. Specify hand of door - RH/LH.
5. Specify backset.
 - standard is 2-3/8" for tubular.
 - standard is 2-1/2" for mortise.

REMEMBER

1. Consider utilizing an interior mortise lock for quality installations.
2. All knobs are interchangeable.
3. FULL LIP strikes are standard. Specify SUB "T" strike, if required.
4. Standard backset is 2-3/8" for tubular. If required, specify 2-3/4".
5. A door thickness greater than 1-3/4" will require a #9900 thick door kit for mortise application.
6. Custom escutcheon sizes and drilling available.
7. HUTTER ARCH profile is standard. SQUARE CORNER and OFFSET options available.
8. Combination strike and faceplate available for latch x mortise bolt function.



HUTTER | DOOR

SET COMPONENTS

Knob Escutcheon Set - PASSAGE includes two escutcheons, two knobs, 4" straight spindle (8mm), passage latch K x K (2-3/8" backset), faceplate, full lip strike, dust box and mounting hardware.

Knob Escutcheon Set - PRIVACY includes two escutcheons with privacy pin hole, two knobs, 4" swivel spindle (8mm), privacy latch K x K (2-3/8" backset), privacy pin, faceplate, full lip strike, dust box and mounting hardware.

Knob Escutcheon Set - LATCH x MORTISE BOLT includes an exterior escutcheon w/ EE hole, an interior escutcheon w/ turnpiece attached, two knobs, 4" straight spindle (8mm), passage latch K x K (2-3/8" backset) latch faceplate, full lip strike, mortise bolt (2-3/8" backset), mortise bolt faceplate, mortise bolt strike, dust boxes and mounting hardware. NOTE: our standard spacing between knob hub and mortise bolt is 2-3/4".

Knob Escutcheon Set - FULL DUMMY includes two escutcheons, two knobs, 4" straight spindle (8mm), two dummy mounting plates and mounting hardware.

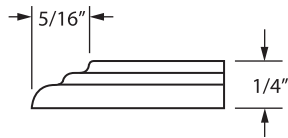
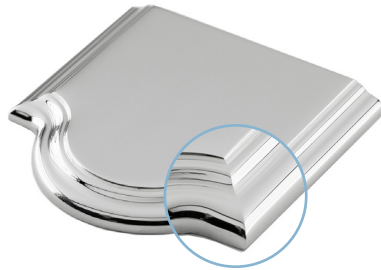
Knob Escutcheon Set - HALF DUMMY includes an escutcheon, knob, dummy mount spindle and mounting hardware.

CLASSIC BRASS

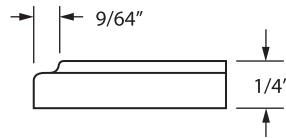
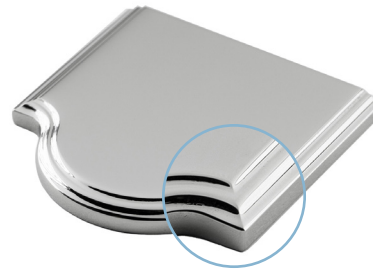
JAMESTOWN, NEW YORK

ARCH ESCUTCHEON
EDGE OPTIONS

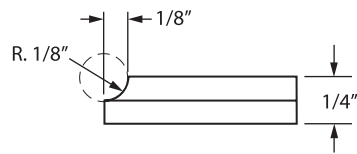
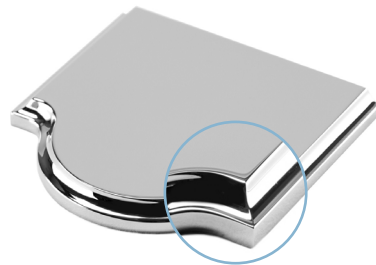
HUTTER ARCH EDGE
Standard



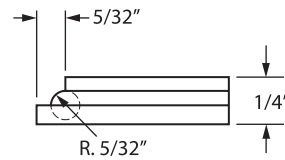
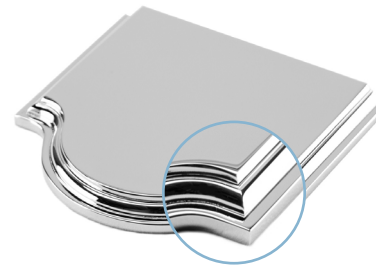
OFFSET ARCH EDGE



LAKEWOOD ARCH EDGE



JAMESTOWN ARCH EDGE



HOW TO ORDER

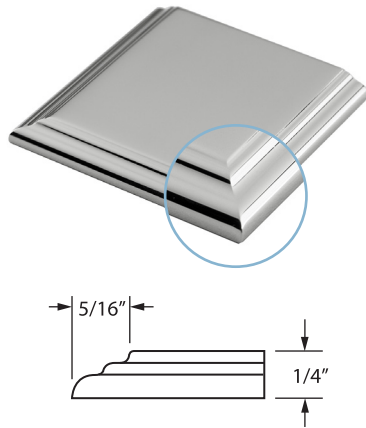
- Specify EDGE DETAIL — Hutter ARCH profile is standard. If alternate EDGE DETAIL is required — make sure to specify as SUB (example — SUB OFFSET).

REMEMBER

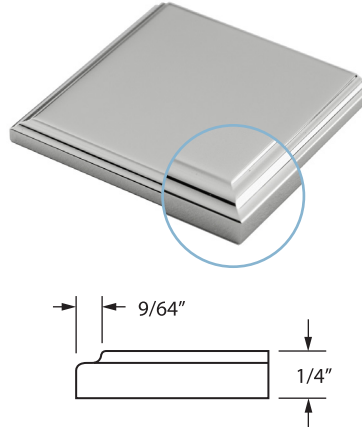
- Custom escutcheon sizes are available.
- Standard escutcheon thickness is 1/4" — alternate thickness available upon request.
- Contact us to discuss custom edge details or profiles.

SQUARE ESCUTCHEON
EDGE OPTIONS

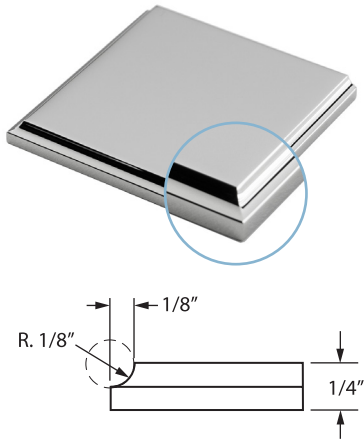
HUTTER SQUARE EDGE



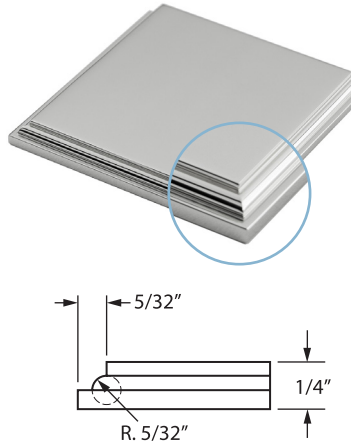
OFFSET SQUARE EDGE



LAKWOOD SQUARE EDGE



JAMESTOWN SQUARE EDGE



HOW TO ORDER

- Hutter ARCH profile is standard. If SQUARE profile required, please specify as SUB (example – SUB SQUARE).
- Specify EDGE DETAIL – Hutter ARCH profile is standard. If alternate EDGE DETAIL is required – make sure to specify as SUB (example – SUB OFFSET).

REMEMBER

- Custom escutcheon sizes are available.
- Standard escutcheon thickness is 1/4" – alternate thickness available upon request.
- Contact us to discuss custom edge details or profiles.

CLASSIC BRASS

JAMESTOWN, NEW YORK

SIGNATURE FINISHES

SOLID BRASS FINISHES



ANTIQUE BRASS
(AB)



ANTIQUE BURNISHED
BRASS (ABB)



ANTIQUE BURNISHED
NICKEL (ABN)



ANTIQUE NICKEL
(AN)



ANTIQUE POLISHED
SILVER (APS)



BURNISHED BRASS
(BB)



BURNISHED NICKEL
(BN)



OIL RUBBED
BRONZE (BZ)



KENSINGTON
(KN)



MATTE BLACK
(MB)



POLISHED ANTIQUE
(PA)



POLISHED ANTIQUE
NO LACQUER (PANL)



POLISHED BRASS
(PB)



POLISHED BRASS
NO LACQUER (PBNL)



POLISHED CHROME
(PC)



POLISHED GOLD
(PG)



POLISHED NICKEL
(PN)



POLISHED SILVER
(PS)



REVERE BRASS
(RB)



REVERE NICKEL
(RN)



REVERE TARNISHED
(RT)



SATIN BRASS
(SB)



SATIN BRASS
NO LACQUER (SBNL)



SATIN GOLD
(SG)



SATIN NICKEL
(SN)



SATIN SILVER
(SS)



SATIN TARNISHED
(STN)



TARNISHED
(TN)



WEATHERED ANTIQUE
NICKEL (WA)



WEATHERED BRASS
(WB)



WEATHERED BRONZE
(WZ)



WEATHERED COPPER
(WC)



WEATHERED NICKEL
(WN)

LEVEL 1

Antique Brass (AB)
Antique Burnished Brass (ABB)
Burnished Brass (BB)
Oil Rubbed Bronze (BZ)
Kensington (KN)
Polished Antique (PA)
Polished Antique — No Lacquer (PANL)
Polished Brass (PB)
Polished Brass — No Lacquer (PBNL)
Revere Brass (RB)
Revere Tarnished (RT)
Satin Brass (SB)
Satin Brass — No Lacquer (SBNL)
Tarnished (TN)
Weathered Brass (WB)
Weathered Bronze (WZ)

LEVEL 2

Antique Burnished Nickel (ABN)
Antique Nickel (AN)
Burnished Nickel (BN)
Matte Black (MB)
Polished Chrome (PC)
Polished Nickel (PN)
Revere Nickel (RN)
Satin Nickel (SN)
Weathered Antique Nickel (WA)
Weathered Copper (WC)
Weathered Nickel (WN)

LEVEL 3

Antique Polished Silver (APS)
Polished Silver (PS)
Satin Silver (SS)

PRICE ON REQUEST

Polished Gold (PG)
Satin Gold (SG)

Custom finishes available on request.