

# CLASSIC BRASS

JAMESTOWN, NEW YORK

## ENTRANCE KNOB SETS

---

FIFTH AVENUE COLLECTION



# ENTRANCE KNOB SETS

## APPLICATIONS

**7610** Knob Mortise Entrance Set

**7611** Knob Mortise Entrance Set - FULL DUMMY

**7612** Knob Latch x Auxiliary Deadbolt Set

**7613** Knob Latch x Auxiliary Deadbolt Set - FULL DUMMY

Above sets include 7765 Knob

## DIMENSIONS

Interior Escutcheon 2-1/2" x 14"

Exterior Escutcheon 2-1/2" x 14"

## MATERIALS

Solid Brass

## SPINDLES

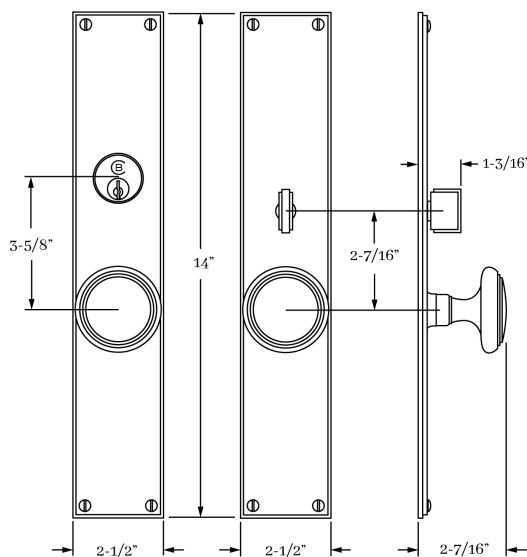
8mm SQ (standard)

## HOW TO ORDER

1. Specify application.
2. Specify finish. If split finish is required, please indicate exterior/interior.
3. Specify door thickness. Standard thickness is 1-3/4".
4. Specify hand of door - RH/LH.
5. Specify backset.
  - standard for mortise lock is 2-1/2".
  - standard for auxiliary deadbolt is 2-3/8".

## REMEMBER

1. All knobs are interchangeable.
2. Standard mortise lock is 2-1/2" EE. Specify 2-3/4" if required.
3. Standard latch x auxiliary deadbolt: 5-1/2" c-c spacing and 2-3/8" backset. If required, specify 2-3/4" backset.
4. A door thickness greater than 1-3/4" will require a #9901 thick door kit for mortise application.
5. Custom escutcheon sizes and drilling available.
6. ONE STEP edge profile is standard. Specify TWO STEP, BEVEL or SLAB edge profile if required.
7. Oval slot head wood screws (4/ea) are standard on the escutcheons.



FIFTH AVENUE | DOOR

## SET COMPONENTS

**Entrance Knob Set - Mortise Lock** includes exterior plate, interior plate with turnpiece, two knobs, 4" swivel spindle (8mm), Accurate 9124 K x K mortise lock (2-1/2" backset), faceplate, strike 1-1/4" LTC, dust box, mortise cylinder and mounting hardware.

**Entrance Knob Set - Latch x Auxiliary Deadbolt** includes an exterior plate, interior plate with turnpiece, two knobs, passage latch K x K (2-3/8" backset), 4" straight spindle (8mm), auxiliary deadbolt (2-3/8" backset), rim cylinder, latch faceplate, full lip strike, dust boxes and mounting hardware. NOTE: our standard spacing between knob hub and auxiliary deadbolt is 5-1/2" c-c.

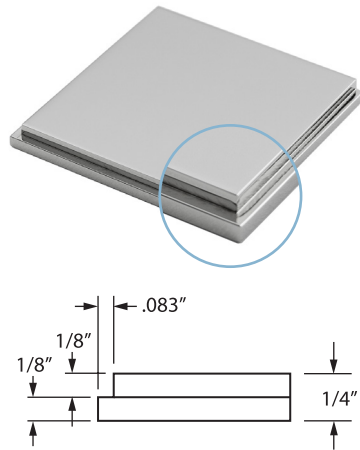
**Entrance Knob Set - FULL DUMMY** includes exterior plate, interior plate, two knobs, 4" straight spindle (8mm) and full dummy mounting hardware.

CLASSIC BRASS

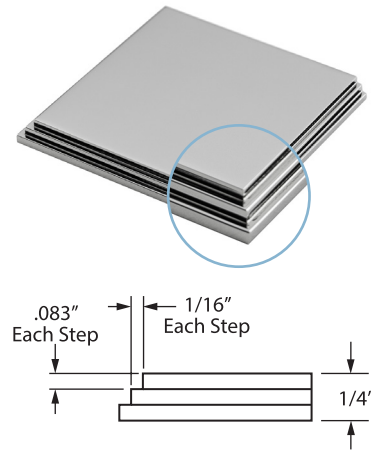
JAMESTOWN, NEW YORK

SQUARE ESCUTCHEON  
EDGE OPTIONS

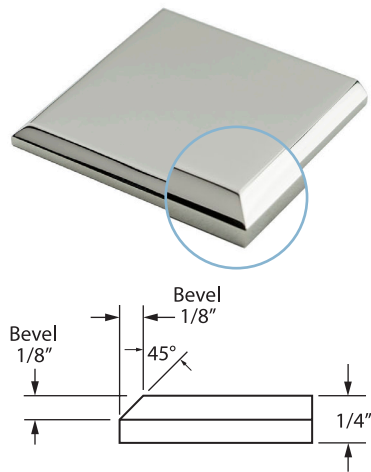
**ONE STEP EDGE**  
Standard



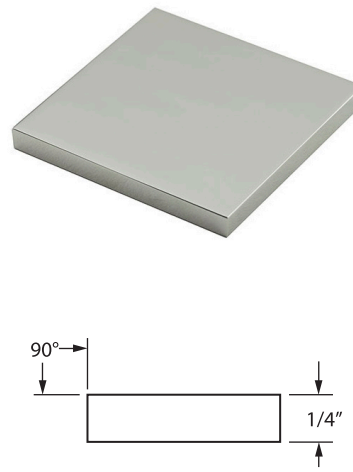
**TWO STEP EDGE**



**BEVEL EDGE**



**SLAB EDGE**



**HOW TO ORDER**

- Specify EDGE DETAIL — ONE STEP edge option is standard. If alternate EDGE DETAIL is required — make sure to specify as SUB (example – SUB BEVEL).

**REMEMBER**

- Custom escutcheon sizes are available.
- Standard escutcheon thickness is 1/4" — alternate thickness available upon request.
- Contact us to discuss custom edge details or profiles.

# CLASSIC BRASS

JAMESTOWN, NEW YORK

## SIGNATURE FINISHES

### SOLID BRASS FINISHES



### LEVEL 1

- Antique Brass (AB)
- Antique Burnished Brass (ABB)
- Burnished Brass (BB)
- Oil Rubbed Bronze (BZ)
- Kensington (KN)
- Polished Antique (PA)
- Polished Antique — No Lacquer (PANL)
- Polished Brass (PB)
- Polished Brass — No Lacquer (PBNL)
- Revere Brass (RB)
- Revere Tarnished (RT)
- Satin Brass (SB)
- Satin Brass — No Lacquer (SBNL)
- Tarnished (TN)
- Weathered Brass (WB)
- Weathered Bronze (WZ)

### LEVEL 2

- Antique Burnished Nickel (ABN)
- Antique Nickel (AN)
- Burnished Nickel (BN)
- Matte Black (MB)
- Polished Chrome (PC)
- Polished Nickel (PN)
- Revere Nickel (RN)
- Satin Nickel (SN)
- Weathered Antique Nickel (WA)
- Weathered Copper (WC)
- Weathered Nickel (WN)

### LEVEL 3

- Antique Polished Silver (APS)
- Polished Silver (PS)
- Satin Silver (SS)

### PRICE ON REQUEST

- Polished Gold (PG)
- Satin Gold (SG)

Custom finishes available on request.