

CLASSIC BRASS

JAMESTOWN, NEW YORK

ENTRANCE LEVER SETS

APRÈS COLLECTION



ENTRANCE LEVER SETS

APPLICATIONS

17010 Lever Mortise Entrance Set

17011 Lever Mortise Entrance Set - FULL DUMMY

17012 Lever Latch x Auxiliary Deadbolt Set

17013 Lever Latch x Auxiliary Deadbolt Set - FULL DUMMY

Above sets include 17173 Lever

DIMENSIONS

Interior Escutcheon 2" x 10"

Exterior Escutcheon 2" x 10"

MATERIALS

Solid Brass

SPINDLES

8mm SQ (standard)

HOW TO ORDER

1. Specify application.
2. Specify finish. If split finish is required, please indicate exterior/interior.
3. Specify door thickness. Standard thickness is 1-3/4".
4. Specify hand of door - RH/LH.
5. Specify backset.
 - standard for mortise lock is 2-1/2".
 - standard for auxiliary deadbolt is 2-3/8".

REMEMBER

1. All levers are interchangeable.
2. Standard mortise lock is 2-1/2" EE. Specify 2-3/4" if required.
3. Standard latch x auxiliary deadbolt: 5-1/2" c-c spacing and 2-3/8" backset. If required, specify 2-3/4" backset.
4. A door thickness greater than 1-3/4" will require a #9901 thick door kit for mortise application.
5. Custom escutcheon sizes and drilling available.
6. SLAB edge is standard. Specify COIN or CROSS HATCH edge detail if required.
7. Concealed undermount attachment is standard on the exterior escutcheon. Oval slot head machine screws (2/ea) are standard on the interior escutcheon.



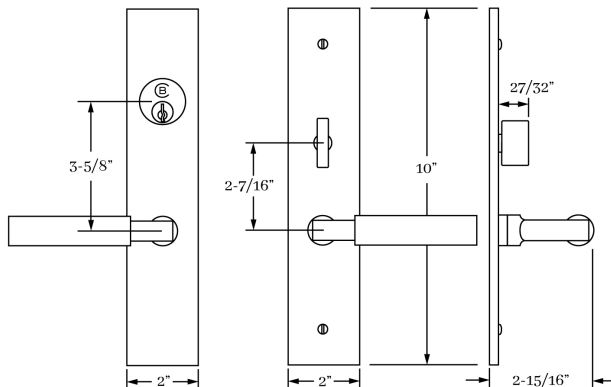
APRÈS | DOOR

SET COMPONENTS

Entrance Lever Set - Mortise Lock includes exterior plate, interior plate with turnpiece, two levers, 4" swivel spindle (8mm), Accurate 9124 L x L mortise lock (2-1/2" backset), faceplate, strike 1-1/4" LTC, dust box, mortise cylinder and mounting hardware.

Entrance Lever Set - Latch x Auxiliary Deadbolt includes an exterior plate, interior plate with turnpiece, two levers, passage latch L x L (2-3/8" backset), 4" straight spindle (8mm), auxiliary deadbolt (2-3/8" backset), rim cylinder, latch faceplate, full lip strike, dust boxes and mounting hardware. NOTE: our standard spacing between lever hub and auxiliary deadbolt is 5-1/2" c-c.

Entrance Lever Set - FULL DUMMY includes exterior plate, interior plate, two levers, 4" straight spindle (8mm) and full dummy mounting hardware.

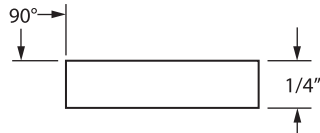


CLASSIC BRASS

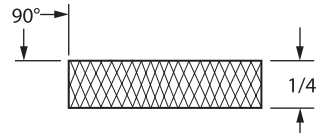
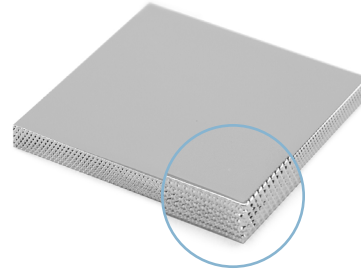
JAMESTOWN, NEW YORK

SQUARE ESCUTCHEON
EDGE OPTIONS

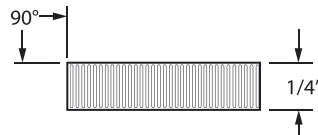
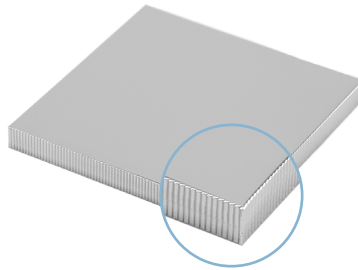
SLAB EDGE
Standard



SLAB CROSS HATCH EDGE



SLAB COIN EDGE



HOW TO ORDER

- Specify EDGE DETAIL — SLAB edge option is standard. If alternate EDGE DETAIL is required — make sure to specify as SUB (example — SUB COIN).
- If necessary, calculate the appropriate upcharge **per lineal inch** for COIN or CROSS HATCH (see retail price list).

REMEMBER

- Custom escutcheon sizes are available.
- Standard escutcheon thickness is 1/4" — alternate thickness available upon request.
- Contact us to discuss custom edge details or profiles.

CLASSIC BRASS

JAMESTOWN, NEW YORK

SIGNATURE FINISHES

SOLID BRASS FINISHES



LEVEL 1

- Antique Brass (AB)
- Antique Burnished Brass (ABB)
- Burnished Brass (BB)
- Oil Rubbed Bronze (BZ)
- Kensington (KN)
- Polished Antique (PA)
- Polished Antique — No Lacquer (PANL)
- Polished Brass (PB)
- Polished Brass — No Lacquer (PBNL)
- Revere Brass (RB)
- Revere Tarnished (RT)
- Satin Brass (SB)
- Satin Brass — No Lacquer (SBNL)
- Tarnished (TN)
- Weathered Brass (WB)
- Weathered Bronze (WZ)

LEVEL 2

- Antique Burnished Nickel (ABN)
- Antique Nickel (AN)
- Burnished Nickel (BN)
- Matte Black (MB)
- Polished Chrome (PC)
- Polished Nickel (PN)
- Revere Nickel (RN)
- Satin Nickel (SN)
- Weathered Antique Nickel (WA)
- Weathered Copper (WC)
- Weathered Nickel (WN)

LEVEL 3

- Antique Polished Silver (APS)
- Polished Silver (PS)
- Satin Silver (SS)

PRICE ON REQUEST

- Polished Gold (PG)
- Satin Gold (SG)

Custom finishes available on request.